

#30VTS

FAN COIL UNIT



VTS



01

VTS Group

1.1	VTS Group – a leader in HVAC sector	4
1.2	3 constituents of success	6



02

FVS FAN COIL UNITS - GENERAL

2.1	Technical Specifications	8
2.2	Dimension	10



03

FVS FAN COIL UNITS - CHILLED WATER WS

3.1	Chilled Water (WS) - Product family and general technical specification	12
3.2	Performance data	15
3.3	Fan Characteristics	26
3.4	VTS Fan Coil Unit Specific Fan Power	28
3.5	Sound Data	29



04

FVS FAN COIL UNITS - DISTRICT COOLING WD

4.1	District cooling (WD) - Product family and general technical specification	30
4.2	Performance data	32
4.3	Fan Characteristics	44
4.4	VTS Fan Coil Unit Specific Fan Power	46
4.5	Sound Data	47



05

FVS FAN COIL UNITS - EC MOTORS

5.1	EC motors (optional equipment) - technical specifications	48
5.2	EC motor characteristics	49



VTS GROUP – is a manufacturer of technically advanced equipment for the HVAC sector using innovative technologies in the area of project research, production and logistics.



24/7 AVAILABILITY
IMMEDIATE

* Logistics centre



OUR MISSION

AHU#1





3 CONSTITUENTS OF SUCCESS

Permanently highest quality of products. The best prices in the market. The shortest delivery time. These three constituents of market policy ensure that VTS is always one step ahead, in every single place in the world.

Following the best practice in the automotive branch VTS created the network of 6 efficiently functioning logistics centers (**Atlanta, Dubai, Moscow, Shanghai, Warsaw, Bangalore**) and therefore guarantees the shortest delivery terms in the market regardless of the region in the world.

Mass scale of production of reduplicated devices makes it possible for VTS to offer them at the **most competitive price and retain their best quality.**

Multilevel quality control systems enables VTS to offer the longest warranty in the market. **18-months guarantee of the trouble free operation of equipment in the standard package.**

24/7 AVAILABILITY
IMMEDIATE

6 LOGISTICS
CENTERS

\$ COMPETITIVE
PRICE

110 000
U N I T S
SOLD ANNUALLY

Q BEST
QUALITY

18 MONTHS **guarantee**
FOR EACH
DEVICE





Technical Specifications

CASING

Top cover material:

- Galvanized steel
- Thickness: 0.8 mm

Base material:

- Galvanized steel
- Thickness: 0.8 mm

Side panel material:

- Galvanized steel
- Thickness: 0.8 mm

Back cover:

- Galvanized steel
- Thickness: 0.8 mm

Top cover for plenum:

- Galvanized steel
- Thickness: 0.8 mm

Side panel for plenum:

- Galvanized steel
- Thickness: 0.8 mm

Plenum box insulation:

- 6 mm closed cell foam

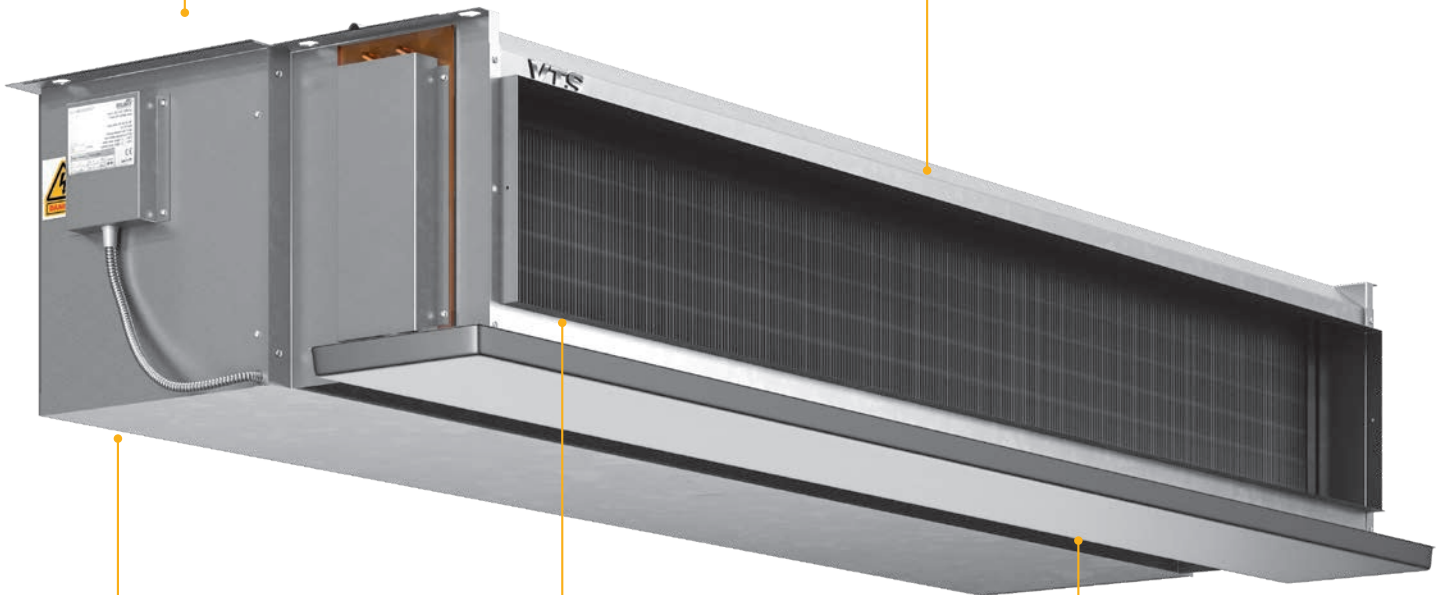
COOLING COIL

Copper pipe:

- Dimensions: 3/8" (9.52 mm)

Fin:

- Thickness: 0.105 mm
- Fin pitch: 10 FPI
- Louvered type Al-fin

**BLOWER:**

Blower material:

- Type: DIDW Forward Curved Centrifugal Fan
- Material: Galvanized steel

Motor:

- Type: Single phase capacitor type
- Insulation: B
- Protection grade: IP20

FILTER:

- Filter frame: Aluminum alloy
- Material: Double layer aluminum
- Thickness: 25 mm
- EU-2 filter grade as per EN779

DRAIN TRAY:

- Material: galvanised steel
- Thickness: 0.8 mm
- Insulation material: PE, 3 mm
- Water outlet: 3/4"
- Powder coated to RAL 9002

TYPICAL APPLICATIONS:



Offices



Hotels



Hospitals



Malls



Technical Specifications



Unit Casing:

Galvanized steel casing of minimum 0.8 mm thickness. Casing is internally lined with 6mm closed cell elastomeric foam insulation.



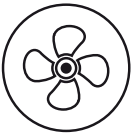
Drain Tray:

They are fabricated from heavy gauge galvanized steel and are insulated to prevent condensation. Powder coated on both sides to RAL 9002.



Cooling Coils:

Fabricated from copper tubes mechanically bonded with aluminum fins and are leak tested at 350 Psig nitrogen pressure.



Blower:

Fans are forward curved centrifugal type of double inlet, statically and dynamically balanced to ensure quiet operation.



Air Filters:

All Units are provided with 25 mm Aluminum Mesh filter as a standard option. Filters accessible from rear end of the unit and is easily removable by pulling out from unit frame.



Fan Motors:

Motors are single phase, 3 speed, 220-240V/1 Phase/50 Hz with internal thermal protection. EC motors available as an option.



Options:

Double skin fan coil units with casing made of 0.8mm galvanized steel sheet and 10mm close cell insulation. Decorative fan coil units, suitable for wall or ceiling mounting.



Dimension - Chilled water (WS)

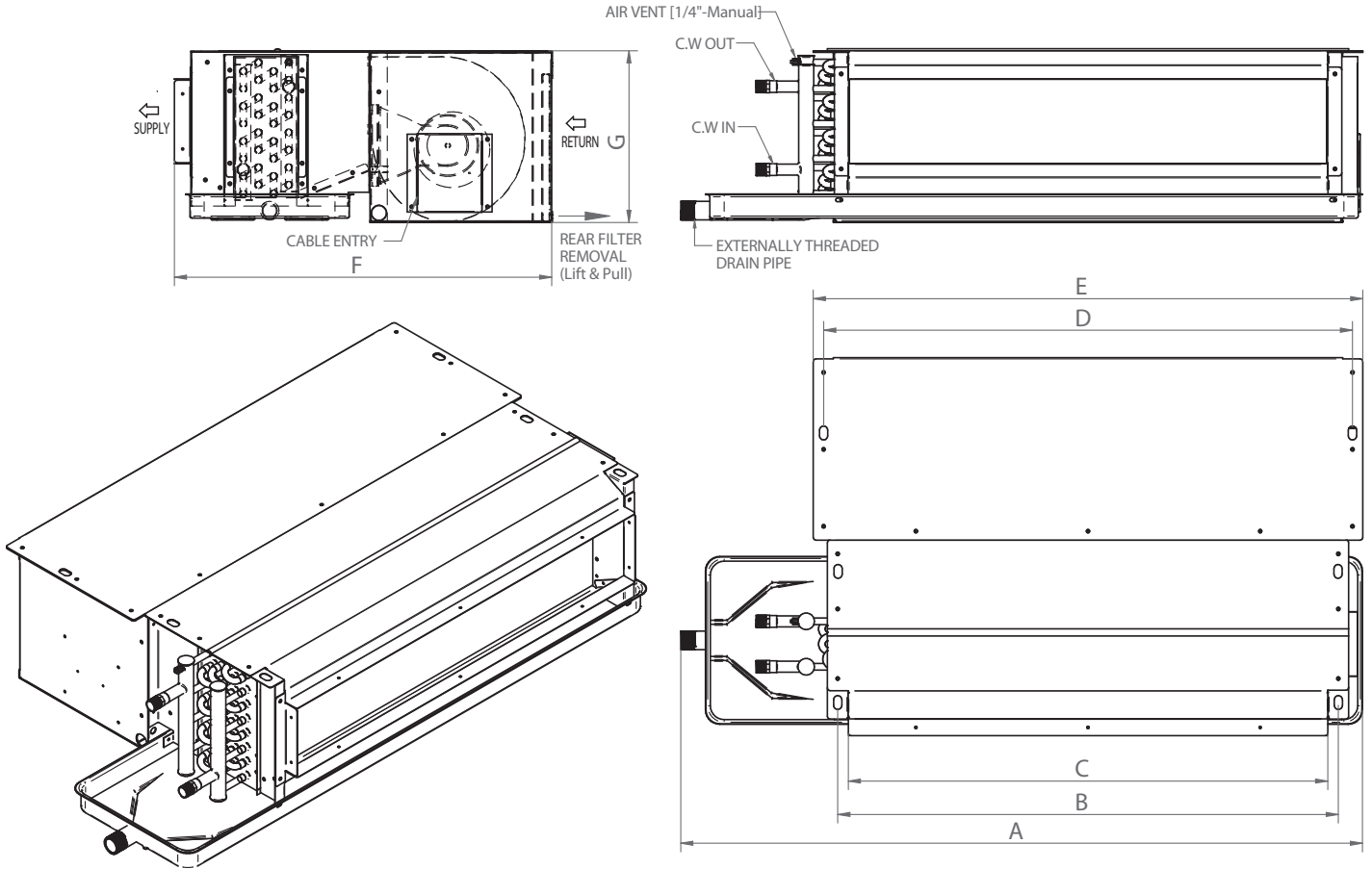
Model		LENGTH							FILTER SIZE	CONNECTION	
		A	B	C	D	E	F	G	mm	Inches	mm
Low Static	F-VS-SD-200-WS	790	528	496	568	598	550	250	475 x 215 x 25	NPS 1/2"	DN15
	F-VS-SD-300-WS	890	628	596	668	698	550	250	575 x 215 x 25	NPS 1/2"	DN15
	F-VS-SD-400-WS	990	728	696	768	798	550	250	675 x 215 x 25	NPS 1/2"	DN15
	F-VS-SD-600-WS	1240	958	926	998	1028	550	250	905 x 215 x 25	NPS 1/2"	DN15
	F-VS-SD-800-WS	1490	1228	1196	1268	1298	550	250	1175 x 215 x 25	NPS 3/4"	DN20
	F-VS-SD-1000-WS	1690	1428	1396	1468	1498	550	250	1375 x 215 x 25	NPS 3/4"	DN20
	F-VS-SD-1200-WS	1890	1628	1596	1668	1698	550	250	1575 x 215 x 25	NPS 3/4"	DN20
High Static	F-VS-SD-600-WS (HS)	790	428	400	468	498	630	335	375 x 308 x 25	NPS 1/2"	DN15
	F-VS-SD-800-WS (HS)	890	578	550	618	648	630	335	525 x 308 x 25	NPS 3/4"	DN20
	F-VS-SD-1000-WS (HS)	940	678	650	718	748	630	335	625 x 308 x 25	NPS 3/4"	DN20
	F-VS-SD-1200-WS (HS)	1090	808	780	848	878	630	335	755 x 308 x 25	NPS 3/4"	DN20
	F-VS-SD-1400-WS	1190	938	910	978	1008	630	335	885 x 308 x 25	NPS 1"	DN25
	F-VS-SD-1600-WS	1390	1108	1080	1148	1178	630	335	1055 x 308 x 25	NPS 1"	DN25
	F-VS-SD-1800-WS	1440	1171	1143	1211	1241	630	335	1118 x 308 x 25	NPS 1"	DN25
	F-VS-SD-2000-WS	1690	1375	1347	1415	1445	630	335	1322 x 308 x 25	NPS 1"	DN25
	F-VS-SD-2400-WS	1840	1552	1524	1592	1622	630	335	1498 x 308 x 25	NPS 1 1/4"	DN32
	F-VS-SD-3000-WS	1990	1728	1700	1768	1798	630	335	1675 x 308 x 25	NPS 1 1/4"	DN32

Dimension - District cooling (WD)

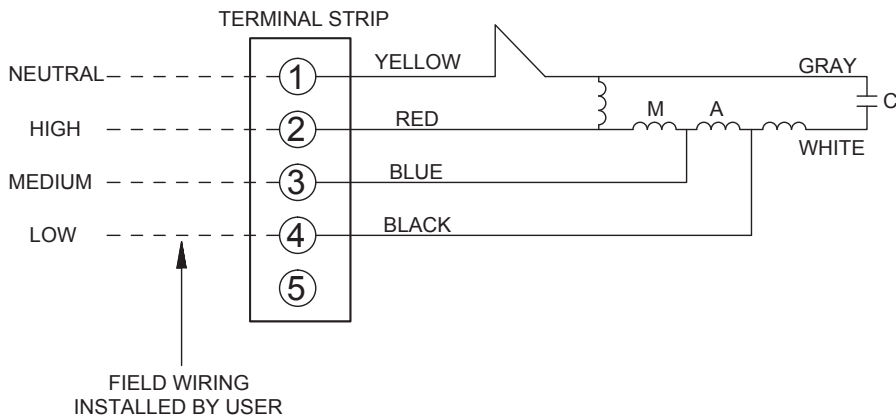
Model		LENGTH							FILTER SIZE	CONNECTION	
		A	B	C	D	E	F	G	mm	Inches	mm
Low Static	F-VS-SD-200-WD	790	528	496	568	598	550	250	475 x 215 x 25	NPS 1/2"	DN15
	F-VS-SD-300-WD	890	628	596	668	698	550	250	575 x 215 x 25	NPS 1/2"	DN15
	F-VS-SD-400-WD	990	728	696	768	798	550	250	675 x 215 x 25	NPS 1/2"	DN15
	F-VS-SD-600-WD	1240	958	926	998	1028	550	250	905 x 215 x 25	NPS 1/2"	DN15
	F-VS-SD-800-WD	1490	1228	1196	1268	1298	550	250	1175 x 215 x 25	NPS 3/4"	DN20
	F-VS-SD-1000-WD	1690	1428	1396	1468	1498	550	250	1375 x 215 x 25	NPS 3/4"	DN20
	F-VS-SD-1200-WD	1890	1628	1596	1668	1698	550	250	1575 x 215 x 25	NPS 3/4"	DN20
High Static	F-VS-SD-600-WD (HS)	890	578	550	618	648	630	335	525 x 308 x 25	NPS 1/2"	DN15
	F-VS-SD-800-WD (HS)	940	678	650	718	748	630	335	625 x 308 x 25	NPS 3/4"	DN20
	F-VS-SD-1000-WD (HS)	1090	808	780	848	878	630	335	755 x 308 x 25	NPS 3/4"	DN20
	F-VS-SD-1200-WD (HS)	1190	938	910	978	1008	630	335	885 x 308 x 25	NPS 3/4"	DN20
	F-VS-SD-1400-WD	1390	1108	1080	1148	1178	630	335	1055 x 308 x 25	NPS 1"	DN25
	F-VS-SD-1600-WD	1440	1171	1143	1211	1241	630	335	1118 x 308 x 25	NPS 1"	DN25
	F-VS-SD-1800-WD	1690	1375	1347	1415	1445	630	335	1322 x 308 x 25	NPS 1"	DN25
	F-VS-SD-2000-WD	1840	1552	1524	1592	1622	630	335	1498 x 308 x 25	NPS 1 1/4"	DN32
	F-VS-SD-2400-WD	1990	1728	1700	1768	1798	630	335	1675 x 308 x 25	NPS 1 1/4"	DN32
	F-VS-SD-3000-WD	2250	1928	1900	1968	1998	630	335	1675 x 308 x 25	NPS 1 1/4"	DN32



Dimensional drawings



Electrical wiring diagrams (for all models)



LEGENDS SYMBOL:
 C - CAPACITOR
 A - AMPERE



Chilled Water [WS] - Product family and general technical specification

Rated parameters		Units	Speed	F-VS-SD-200-WS	F-VS-SD-300-WS	F-VS-SD-400-WS	F-VS-SD-600-WS	F-VS-SD-800-WS
				Low Static , Normal Cooling Unit				
Cooling Capacity at DBT 80°F / WBT 67°F water at (7.2°C / 12.2°C) (45°F/54°F)	Total	BTU/hr	Med Speed	6416	12858	16042	24733	29113
	Sensible	[BTU/hr]	Med Speed	3959	8712	10548	16274	19797
Cooling Capacity at DBT 80°F / WBT 67°F water at (7.2°C / 12.2°C) (45°F/54°F)	Total	KW	Med Speed	1,88	3,77	4,70	7,25	8,53
	Sensible	KW	Med Speed	1,16	2,55	3,09	4,77	5,80
Air Flow at 0,2" wg (Low Static Unit)		[CFM]	Med Speed	190	350	400	600	800
Air Flow at 0,0" wg (Low Static Unit)		[CFM]	Med Speed	255	445	508	762	1016
Air Flow at 0,4" wg (High Static Unit)		[CFM]	Med Speed	-	-	-	-	-
Air Flow at 0,2" wg (High Static Unit)		[CFM]	Med Speed	-	-	-	-	-
Sound Pressure Level according to ISO 11203 at 1 meter from the unit	-	[dB(A)]	High Speed	44	44	46	51	52
	-	[dB(A)]	Medium Speed	42	42	43	45	45
	-	[dB(A)]	Low Speed	37	37	38	39	39
Coil	Type	[]	-]	3/8" ,0.28MM Thick Copper tubes				
	Row / FPI	[]	-	4/10.58	4/10.58	4/10.58	4/10.58	4/10.58
	Nominal water flow rate	US GPM	Med Speed	1,2	1,8	2,4	3,6	4,8
Fan	Type	[]	-	Centrifugal , Forward Curve DIDW				
	Material	[]	-	GI				
	Quantity	[mm]	-	1	2	2	2	3
Fan motor	Power Supply (Output)	[W]	-	50	80	80	80	130
	Power Input (Med)	[W]	-	105	145	147	170	260
	RLA (Med)	[A]	-	0,46	0,63	0,64	0,74	1,13
	Type/Class/IP	[]	-	Class B/IP20	Class B/IP20	Class B/IP20	Class B/IP20	Class B/IP20
	Revolutions	[rpm]	H/M/L	1400/1330/1250	1400/1330/1250	1400/1330/1250	1400/1330/1250	1400/1330/1250
Drive method	-	[]	Direct Drive					
Weight	Unit	[kg]	-	18	20	23	28	36
	Shipping	[kg]	-	20	22	25	30	39
Unit Dimensions	L	[mm]	-	790	890	990	1240	1490
	W	[mm]	-	560 +/-5				
	H	[mm]	-	250 +/-5				
Shipping Dimensions	L	[mm]	-	815	915	1015	1265	1515
	W	[mm]	-	560 +/-5				
	H	[mm]	-	260 +/-5				
Connections	Inlet (MPT)	[inch]	-	1/2" NPS	1/2" NPS	1/2" NPS	1/2" NPS	3/4" NPS
	Outlet (MPT)	[inch]	-	1/2" NPS	1/2" NPS	1/2" NPS	1/2" NPS	3/4" NPS
	Drain Pan Inch OD	[inch]	-	3/4	3/4	3/4	3/4	3/4



Chilled Water (WS) - Product family and general technical specification

Rated parameters		Units	Speed	F-VS-SD-1000-WS	F-VS-SD-1200-WS	F-VS-SD-600-WS (HS)	F-VS-SD-800-WS (HS)
				Low Static , Normal Cooling Unit		High Static Normal Cooling Unit	
Cooling Capacity at DBT 80°F / WBT 67°F water at (7.2°C / 12.2°C) (45°F/54°F)	Total	BTU/hr	Med Speed	38622	44570	19339	23064
	Sensible	[BTU/hr]	Med Speed	25685	29338	13642	15652
Cooling Capacity at DBT 80°F / WBT 67°F water at (7.2°C / 12.2°C) (45°F/54°F)	Total	KW	Med Speed	11,32	13,06	5,67	6,76
	Sensible	KW	Med Speed	7,53	8,60	4,00	4,59
Air Flow at 0,2" wg (Low Static Unit)		[CFM]	Med Speed	1000	1120	-	-
Air Flow at 0,0 wg (Low Static Unit)		[CFM]	Med Speed	1270	1366	-	-
Air Flow at 0,4" wg (High Static Unit)		[CFM]	Med Speed	-	-	425	471
Air Flow at 0,2 wg (High Static Unit)		[CFM]	Med Speed	-	-	576	638
Sound Pressure Level according to ISO 11203 at 1 meter from the unit	-	[dB(A)]	High Speed	53	53	48	53
	-	[dB(A)]	Medium Speed	47	48	46	51
	-	[dB(A)]	Low Speed	41	43	43	48
Coil	Type	[]	-]	3/8" ,0.28MM Thick Copper tubes			
	Row / FPI	[]	-	4/10.58	4/10.58	4/12.1	4/12.1
	Nominal water flow rate	US GPM	Med Speed	6	7,2	3,6	4,8
Fan	Type	[]	-	Centrifugal , Forward Curve DIDW			
	Material	[]	-	GI			
	Quantity	[mm]	-	4	4	1	1
Fan motor	Power Supply (Output)	[W]	-	160	160	100	150
	Power Input (Med)	[W]	-	273	302	185	250
	RLA (Med)	[A]	-	1,19	1,31	0,80	1,09
	Type/Class/IP	[]	-	Class B/IP20	Class B/IP20	Class B/IP20	Class B/IP20
	Revolutions	[rpm]	H/M/L	1400/1330/1250	1400/1330/1250	1350/1250/1000	1350/1250/1000
Drive method	-	[]	Direct Drive				
Weight	Unit	[kg]	-	41	45	24	26
	Shipping	[kg]	-	44	50	26	28
Unit Dimensions	L	[mm]	-	1690	1890	790	890
	W	[mm]	-	560 +/-5		630 +/-5	
	H	[mm]	-	250 +/-5		335 +/-5	
Shipping Dimensions	L	[mm]	-	1715	1915	805	905
	W	[mm]	-	560 +/-5		640 +/-5	
	H	[mm]	-	260 +/-5		345 +/-5	
Connections	Inlet (MPT)	[inch]	-	3/4" NPS	3/4" NPS	1/2" NPS	3/4" NPS
	Outlet (MPT)	[inch]	-	3/4" NPS	3/4" NPS	1/2" NPS	3/4" NPS
	Drain Pan Inch OD	[inch]	-	3/4	3/4	3/4	3/4



Chilled Water [WS] - Product family and general technical specification

Rated parameters		Units	Speed	F-VS-SD-1000-WS (HS)	F-VS-SD-1200-WS (HS)	F-VS-SD-1400-WS	F-VS-SD-1600-WS
				High Static Normal Cooling Unit			
Cooling Capacity at DBT 80°F / WBT 67°F water at (7.2°C / 12.2°C) (45°F/54°F)	Total	BTU/hr	Med Speed	29193	37466	46376	55469
	Sensible	[BTU/hr]	Med Speed	19747	25268	31767	37299
Cooling Capacity at DBT 80°F / WBT 67°F water at (7.2°C / 12.2°C) (45°F/54°F)	Total	KW	Med Speed	8,55	10,98	13,59	16,25
	Sensible	KW	Med Speed	5,79	7,40	9,31	10,93
Air Flow at 0,2" wg (Low Static Unit)		[CFM]	Med Speed	-	-	-	-
Air Flow at 0,0" wg (Low Static Unit)		[CFM]	Med Speed	-	-	-	-
Air Flow at 0,4" wg (High Static Unit)		[CFM]	Med Speed	590	760	956	1092
Air Flow at 0,2" wg (High Static Unit)		[CFM]	Med Speed	800	1030	1295	1480
Sound Pressure Level according to ISO 11203 at 1 meter from the unit	-	[dB(A)]	High Speed	54	54	55	56
	-	[dB(A)]	Medium Speed	53	53	54	54
	-	[dB(A)]	Low Speed	50	50	49	51
Coil	Type	[]	-	3/8" ,0.28MM Thick Copper tubes			
	Row / FPI	[]	-	4/12.1	4/12.1	4/12.1	4/12.1
	Nominal water flow rate	US GPM	Med Speed	6	7,2	8,4	9,6
Fan	Type	[]	-	Centrifugal , Forward Curve DIDW			
	Material	[]	-	GI			
	Quantity	[mm]	-	1	1	2	2
Fan motor	Power Supply (Output)	[W]	-	200	250	300	300
	Power Input (Med)	[W]	-	340	420	480	501
	RLA (Med)	[A]	-	1,48	1,83	2,09	2,18
	Type/Class/IP	[]	-	Class B/IP20	Class B/IP20	Class B/IP20	Class B/IP20
	Revolutions	[rpm]	H/M/L	1350/1250/1000	1350/1250/1000	1350/1250/1000	1350/1250/1000
Drive method	-	[]	-	Direct Drive			
Weight	Unit	[kg]	-	29	32	42	45
	Shipping	[kg]	-	31	34	44	48
Unit Dimensions	L	[mm]	-	940	1090	1190	1390
	W	[mm]	-	630 +/-5			
	H	[mm]	-	335 +/-5			
Shipping Dimensions	L	[mm]	-	955	1105	1205	1405
	W	[mm]	-	640 +/-5			
	H	[mm]	-	345 +/-5			
Connections	Inlet (MPT)	[inch]	-	3/4" NPS	3/4" NPS	1" NPS	1" NPS
	Outlet (MPT)	[inch]	-	3/4" NPS	3/4" NPS	1" NPS	1" NPS
	Drain Pan Inch OD	[inch]	-	3/4	3/4	3/4	3/4



Chilled Water (WS) - Product family and general technical specification

Rated parameters		Units	Speed	F-VS-SD-1800-WS	F-VS-SD-2000-WS	F-VS-SD-2400-WS	F-VS-SD-3000-WS
				High Static Normal Cooling Unit			
Cooling Capacity at DBT 80°F / WBT 67°F water at (7.2°C / 12.2°C) (45°F/54°F)	Total	BTU/hr	Med Speed	60932	67561	78609	97078
	Sensible	[BTU/hr]	Med Speed	40841	45374	54262	69491
Cooling Capacity at DBT 80°F / WBT 67°F water at (7.2°C / 12.2°C) (45°F/54°F)	Total	KW	Med Speed	17,85	19,80	23,03	28,44
	Sensible	KW	Med Speed	11,97	13,29	15,90	20,36
Air Flow at 0,2" wg (Low Static Unit)		[CFM]	Med Speed	-	-	-	-
Air Flow at 0,0" wg (Low Static Unit)		[CFM]	Med Speed	-	-	-	-
Air Flow at 0,4" wg (High Static Unit)		[CFM]	Med Speed	1206	1350	1636	2177
Air Flow at 0,2" wg (High Static Unit)		[CFM]	Med Speed	1635	1830	2217	2950
Sound Pressure Level according to ISO 11203 at 1 meter from the unit	-	[dB(A)]	High Speed	56	58	58	58
	-	[dB(A)]	Medium Speed	54	57	57	57
	-	[dB(A)]	Low Speed	51	52	52	52
Coil	Type	[]	-]	3/8" ,0.28MM Thick Copper tubes			
	Row / FPI	[]	-	4/12.1	4/12.1	4/12.1	4/12.1
	Nominal water flow rate	US GPM	Med Speed	10,8	12	14,4	18
Fan	Type	[]	-	Centrifugal , Forward Curve DIDW			
	Material	[]	-	GI			
	Quantity	[mm]	-	2	2	2	3
Fan motor	Power Supply (Output)	[W]	-	400	500	500	750
	Power Input (Med)	[W]	-	545	645	840	1260
	RLA (Med)	[A]	-	2,37	2,80	3,65	5,48
	Type/Class/IP	[]	-	Class B/IP20	Class B/IP20	Class B/IP20	Class B/IP20
	Revolutions	[rpm]	H/M/L	1350/1250/1000	1350/1250/1000	1350/1250/1000	1350/1250/1000
Drive method	-	[]	Direct Drive				
Weight	Unit	[kg]	-	47	52	58	75
	Shipping	[kg]	-	50	57	62	79
Unit Dimensions	L	[mm]	-	1440	1690	1840	1990
	W	[mm]	-	630 +/-5			
	H	[mm]	-	335 +/-5			
Shipping Dimensions	L	[mm]	-	1455	1705	1855	2005
	W	[mm]	-	640 +/-5			
	H	[mm]	-	345 +/-5			
Connections	Inlet (MPT)	[inch]	-	1" NPS	1" NPS	1 1/4" NPS	1 1/4" NPS
	Outlet (MPT)	[inch]	-	1" NPS	1" NPS	1 1/4" NPS	1 1/4" NPS
	Drain Pan Inch OD	[inch]	-	3/4	3/4	3/4	3/4



Performance data of F-VS-SD-200-WS

Cooling Coil Air Inlet				Entering/Leaving Water Temperature							
DB/WB	Speed	Air Flow Rate		45/54 (°F); 7/12 (°C)							
		m³/h	CFM	Total Cooling		Sensible Cooling		Water Flow rate		Water Pressure drop	
				(X 1.000 Btu/Hr)	kW	(X 1.000 Btu/Hr)	kW	GPM	L/S	Ft.wg	kPa
76/63	HI	352	207	5530	1,62	4499	1,32	1,30	0,08	2,00	5,98
	MED	323	190	5117	1,50	4135	1,21	1,20	0,08	1,70	5,08
	LOW	226	133	3698	1,08	2893	0,85	0,90	0,06	0,90	2,69
80/63	HI	352	207	6028	1,77	5472	1,60	1,40	0,09	2,40	7,18
	MED	323	190	5562	1,63	5027	1,47	1,30	0,08	2,00	5,98
	LOW	226	133	3965	1,16	3502	1,03	1,00	0,06	1,00	2,99
85/63	HI	352	207	6838	2,00	6701	1,96	1,60	0,10	3,20	9,57
	MED	323	190	6309	1,85	6161	1,81	1,50	0,09	2,70	8,07
	LOW	226	133	4458	1,31	4305	1,26	1,10	0,07	1,30	3,89
76/65	HI	352	207	6319	1,85	4333	1,27	1,50	0,09	2,70	8,07
	MED	323	190	5858	1,72	3987	1,17	1,40	0,09	2,30	6,88
	LOW	226	133	4198	1,23	2776	0,81	1,00	0,06	1,10	3,29
80/65	HI	352	207	6630	1,94	5239	1,54	1,60	0,10	3,00	8,97
	MED	323	190	6141	1,80	4820	1,41	1,50	0,09	2,50	7,48
	LOW	226	133	4420	1,30	3372	0,99	1,10	0,07	1,30	3,89
85/65	HI	352	207	7161	2,10	6406	1,88	1,70	0,11	3,70	11,06
	MED	323	190	6619	1,94	5890	1,73	1,60	0,10	3,10	9,27
	LOW	226	133	4728	1,39	4116	1,21	1,20	0,08	1,50	4,49
76/67	HI	352	207	7510	2,20	4303	1,26	1,80	0,11	4,00	11,96
	MED	323	190	6919	2,03	3945	1,16	1,60	0,10	3,40	10,17
	LOW	226	133	4984	1,46	2762	0,81	1,20	0,08	1,60	4,78
80/67	HI	352	207	7756	2,27	5159	1,51	1,80	0,11	4,20	12,56
	MED	323	190	6416	1,88	3959	1,16	1,70	0,11	3,60	10,76
	LOW	226	133	4778	1,40	2905	0,85	1,20	0,08	1,70	5,08
85/67	HI	352	207	8045	2,36	6273	1,84	1,90	0,12	4,50	13,46
	MED	323	190	7303	2,14	5709	1,67	1,70	0,11	3,80	11,36
	LOW	226	133	8045	2,36	6273	1,84	1,90	0,12	4,50	13,46



Performance data of F-VS-SD-300-WS

Cooling Coil Air Inlet				Entering/Leaving Water Temperature							
DB/WB	Speed	Air Flow Rate		45/54 (°F); 7/12 (°C)							
				Total Cooling		Sensible Cooling		Water Flow rate		Water Pressure drop	
		m³/h	CFM	(X 1.000 Btu/Hr)	kW	(X 1.000 Btu/Hr)	kW	GPM	L/S	Ft.wg	kPa
76/63	HI	714	420	9961	2,92	8636	2,53	2,30	0,15	3,30	9,87
	MED	595	350	8628	2,53	7355	2,16	2,00	0,13	2,40	7,18
	LOW	410	241	6272	1,84	5192	1,52	1,50	0,09	1,20	3,59
80/63	HI	714	420	11568	3,39	10806	3,17	2,70	0,17	4,30	12,86
	MED	595	350	9610	2,82	9006	2,64	2,20	0,14	3,00	8,97
	LOW	410	241	6934	2,03	6352	1,86	1,60	0,10	1,40	4,19
85/63	HI	714	420	13128	3,85	13128	3,85	3,00	0,19	5,30	15,85
	MED	595	350	10908	3,20	10908	3,20	2,50	0,16	3,80	11,36
	LOW	410	241	7686	2,25	7686	2,25	1,80	0,11	1,80	5,38
76/65	HI	714	420	12114	3,55	8610	2,52	2,80	0,18	4,60	13,75
	MED	595	350	9787	2,87	7046	2,06	2,30	0,15	3,10	9,27
	LOW	410	241	7164	2,10	4995	1,46	1,70	0,11	1,60	4,78
80/65	HI	714	420	12930	3,79	10482	3,07	3,00	0,19	5,20	15,55
	MED	595	350	10571	3,10	8656	2,54	2,50	0,16	3,60	10,76
	LOW	410	241	7576	2,22	6067	1,78	1,80	0,11	1,80	5,38
85/65	HI	714	420	14155	4,15	12863	3,77	3,30	0,21	6,10	18,24
	MED	595	350	11814	3,46	10751	3,15	2,70	0,17	4,40	13,16
	LOW	410	241	8256	2,42	7450	2,18	1,90	0,12	2,40	7,18
76/67	HI	714	420	15167	4,44	8849	2,59	3,50	0,22	6,90	20,63
	MED	595	350	12487	3,66	7300	2,14	2,90	0,18	4,80	14,35
	LOW	410	241	8459	2,48	4926	1,44	2,00	0,13	2,30	6,88
80/67	HI	714	420	15480	4,54	10476	3,07	3,60	0,23	7,10	21,23
	MED	595	350	12858	3,77	8712	2,55	3,00	0,19	5,10	15,25
	LOW	410	241	8464	2,48	5734	1,68	2,00	0,13	2,40	7,18
85/67	HI	714	420	15859	4,65	12606	3,69	3,60	0,23	7,50	22,43
	MED	595	350	13308	3,90	10556	3,09	3,10	0,20	5,50	16,45
	LOW	410	241	9050	2,65	7199	2,11	2,10	0,13	2,60	7,77



Performance data of F-VS-SD-400-WS

Cooling Coil Air Inlet				Entering/Leaving Water Temperature							
DB/WB	Speed	Air Flow Rate		45/54 (°F); 7/12 (°C)							
		m³/h	CFM	Total Cooling		Sensible Cooling		Water Flow rate		Water Pressure drop	
				(X 1.000 Btu/Hr)	kW	(X 1.000 Btu/Hr)	kW	GPM	L/S	Ft.wg	kPa
76/63	HI	816	480	13024	3,82	10634	3,12	3,00	0,19	5,80	17,34
	MED	680	400	10629	3,11	8774	2,57	2,50	0,16	4,00	11,96
	LOW	469	276	7602	2,23	6153	1,80	1,80	0,11	2,00	5,98
80/63	HI	816	480	14206	4,16	12866	3,77	3,30	0,21	6,70	20,03
	MED	680	400	11858	3,47	10752	3,15	2,70	0,17	4,90	14,65
	LOW	469	276	8273	2,42	7454	2,18	1,90	0,12	2,40	7,18
85/63	HI	816	480	16063	4,71	15709	4,60	3,70	0,23	8,40	25,12
	MED	680	400	13523	3,96	13198	3,87	3,10	0,20	6,20	18,54
	LOW	469	276	9336	2,74	9105	2,67	2,20	0,14	3,10	9,27
76/65	HI	816	480	15573	4,56	10595	3,10	3,60	0,23	7,90	23,62
	MED	680	400	12925	3,79	8806	2,58	3,00	0,19	5,70	17,04
	LOW	469	276	8736	2,56	5966	1,75	2,00	0,13	2,70	8,07
80/65	HI	816	480	16086	4,71	12578	3,69	3,70	0,23	8,40	25,12
	MED	680	400	13503	3,96	10534	3,09	3,10	0,20	6,10	18,24
	LOW	469	276	9156	2,68	7177	2,10	2,10	0,13	3,00	8,97
85/65	HI	816	480	17038	4,99	15132	4,43	3,90	0,25	9,30	27,81
	MED	680	400	14385	4,21	12720	3,73	3,30	0,21	6,90	20,63
	LOW	469	276	9808	2,87	8716	2,55	2,30	0,15	3,50	10,47
76/67	HI	816	480	18708	5,48	10712	3,14	4,30	0,27	11,00	32,89
	MED	680	400	15846	4,64	9024	2,64	3,60	0,23	8,10	24,22
	LOW	469	276	10461	3,07	5984	1,75	2,40	0,15	3,90	11,66
80/67	HI	816	480	17918	5,25	12499	3,66	4,30	0,27	11,20	33,49
	MED	680	400	16042	4,70	10548	3,09	3,70	0,23	8,30	24,82
	LOW	469	276	9283	2,72	6655	1,95	2,50	0,16	4,10	12,26
85/67	HI	816	480	19027	5,57	14825	4,34	4,40	0,28	11,30	33,79
	MED	680	400	16214	4,75	12523	3,67	3,70	0,23	8,50	25,42
	LOW	469	276	11095	3,25	8580	2,51	2,60	0,16	4,30	12,86



Performance data of F-VS-SD-600-WS

Cooling Coil Air Inlet				Entering/Leaving Water Temperature							
DB/WB	Speed	Air Flow Rate		45/54 (°F); 7/12 (°C)							
		m³/h	CFM	Total Cooling		Sensible Cooling		Water Flow rate		Water Pressure drop	
				(X 1.000 Btu/Hr)	kW	(X 1.000 Btu/Hr)	kW	GPM	L/S	Ft.wg	kPa
76/63	HI	1223	720	20678	6,06	16579	4,86	4,70	0,30	8,60	25,71
	MED	1019	600	17440	5,11	13949	4,09	4,00	0,25	6,40	19,14
	LOW	703	414	11719	3,43	9482	2,78	2,70	0,17	3,10	9,27
80/63	HI	1223	720	22279	6,53	19863	5,82	5,10	0,32	9,90	29,60
	MED	1019	600	18898	5,54	16767	4,91	4,40	0,28	7,40	22,13
	LOW	703	414	12878	3,77	11508	3,37	3,00	0,19	3,70	11,06
85/63	HI	1223	720	24723	7,24	23997	7,03	5,60	0,35	11,90	35,58
	MED	1019	600	21116	6,19	20369	5,97	4,90	0,31	9,00	26,91
	LOW	703	414	14764	4,33	14195	4,16	3,40	0,21	4,80	14,35
76/65	HI	1223	720	24120	7,07	16359	4,79	5,50	0,35	11,40	34,09
	MED	1019	600	20703	6,07	13915	4,08	4,80	0,30	8,70	26,01
	LOW	703	414	13872	4,06	9412	2,76	3,20	0,20	4,30	12,86
80/65	HI	1223	720	24678	7,23	19261	5,64	5,60	0,35	11,80	35,28
	MED	1019	600	21303	6,24	16421	4,81	4,90	0,31	9,10	27,21
	LOW	703	414	14677	4,30	11329	3,32	3,40	0,21	4,70	14,05
85/65	HI	1223	720	26040	7,63	23059	6,76	6,00	0,38	13,10	39,17
	MED	1019	600	22538	6,60	19682	5,77	5,20	0,33	10,10	30,20
	LOW	703	414	15813	4,63	13731	4,02	3,70	0,23	5,40	16,15
76/67	HI	1223	720	28003	8,20	16176	4,74	6,40	0,40	14,90	44,55
	MED	1019	600	24497	7,18	13979	4,10	5,60	0,35	11,70	34,98
	LOW	703	414	17317	5,07	9794	2,87	4,00	0,25	6,30	18,84
80/67	HI	1223	720	28271	8,28	18892	5,54	6,40	0,40	15,10	45,15
	MED	1019	600	24733	7,25	16274	4,77	5,70	0,36	12,00	35,88
	LOW	703	414	16041	4,70	11437	3,35	4,00	0,25	6,50	19,44
85/67	HI	1223	720	28626	8,39	22462	6,58	6,50	0,41	15,50	46,35
	MED	1019	600	24930	7,30	19249	5,64	5,70	0,36	12,10	36,18
	LOW	703	414	17838	5,23	13578	3,98	4,10	0,26	6,60	19,73



Performance data of F-VS-SD-800-WS

Cooling Coil Air Inlet				Entering/Leaving Water Temperature							
DB/WB	Speed	Air Flow Rate		45/54 (°F); 7/12 (°C)							
		m³/h	CFM	Total Cooling		Sensible Cooling		Water Flow rate		Water Pressure drop	
				(X 1.000 Btu/Hr)	kW	(X 1.000 Btu/Hr)	kW	GPM	L/S	Ft.wg	kPa
76/63	HI	1631	960	22520	6,60	19562	5,73	5,20	0,33	3,40	10,17
	MED	1359	800	18546	5,43	16262	4,76	4,30	0,27	2,30	6,88
	LOW	937	552	13341	3,91	11476	3,36	3,10	0,20	1,10	3,29
80/63	HI	1631	960	26351	7,72	24614	7,21	6,10	0,38	4,50	13,46
	MED	1359	800	21625	6,34	20391	5,97	5,00	0,32	3,20	9,57
	LOW	937	552	15231	4,46	14255	4,18	3,60	0,23	1,50	4,49
85/63	HI	1631	960	29811	8,73	29811	8,73	6,80	0,43	5,60	16,74
	MED	1359	800	24824	7,27	24824	7,27	5,70	0,36	4,10	12,26
	LOW	937	552	17028	4,99	17028	4,99	4,00	0,25	1,90	5,68
76/65	HI	1631	960	27398	8,03	19520	5,72	6,30	0,40	4,90	14,65
	MED	1359	800	21591	6,33	15778	4,62	5,00	0,32	3,20	9,57
	LOW	937	552	15126	4,43	10954	3,21	3,50	0,22	1,50	4,49
80/65	HI	1631	960	29253	8,57	23771	6,96	6,70	0,42	5,50	16,45
	MED	1359	800	23987	7,03	19688	5,77	5,50	0,35	3,80	11,36
	LOW	937	552	16370	4,80	13512	3,96	3,80	0,24	1,80	5,38
85/65	HI	1631	960	32080	9,40	29218	8,56	7,40	0,47	6,50	19,44
	MED	1359	800	26891	7,88	24499	7,18	6,20	0,39	4,70	14,05
	LOW	937	552	18248	5,35	16784	4,92	4,20	0,26	2,30	6,88
76/67	HI	1631	960	34103	9,99	19989	5,86	7,80	0,49	7,20	21,53
	MED	1359	800	28290	8,29	16603	4,86	6,50	0,41	5,20	15,55
	LOW	937	552	17922	5,25	10751	3,15	4,20	0,26	2,20	6,58
80/67	HI	1631	960	34761	10,18	23652	6,93	8,00	0,50	7,40	22,13
	MED	1359	800	29113	8,53	19797	5,80	6,70	0,42	5,40	16,15
	LOW	937	552	16997	4,98	12560	3,68	4,40	0,28	2,40	7,18
85/67	HI	1631	960	35678	10,45	28503	8,35	8,20	0,52	7,80	23,32
	MED	1359	800	30072	8,81	23958	7,02	6,90	0,44	5,70	17,04
	LOW	937	552	19815	5,81	16139	4,73	4,60	0,29	2,70	8,07



Performance data of F-VS-SD-1000-WS

Cooling Coil Air Inlet				Entering/Leaving Water Temperature							
DB/WB	Speed	Air Flow Rate		45/54 (°F); 7/12 (°C)							
		m³/h	CFM	Total Cooling		Sensible Cooling		Water Flow rate		Water Pressure drop	
				(X 1.000 Btu/Hr)	kW	(X 1.000 Btu/Hr)	kW	GPM	L/S	Ft.wg	kPa
76/63	HI	2039	1200	32090	9,40	26217	7,68	7,40	0,47	7,20	21,53
	MED	1699	1000	26698	7,82	21891	6,41	6,20	0,39	5,20	15,55
	LOW	1172	690	17794	5,21	14856	4,35	4,20	0,26	2,40	7,18
80/63	HI	2039	1200	34928	10,23	31697	9,29	8,00	0,50	8,40	25,12
	MED	1699	1000	29462	8,63	26690	7,82	6,80	0,43	6,20	18,54
	LOW	1172	690	19810	5,80	18224	5,34	4,60	0,29	3,10	9,27
85/63	HI	2039	1200	38350	11,24	38350	11,24	8,80	0,56	9,90	29,60
	MED	1699	1000	32558	9,54	32558	9,54	7,50	0,47	7,40	22,13
	LOW	1172	690	22410	6,57	22410	6,57	5,20	0,33	3,80	11,36
76/65	HI	2039	1200	37735	11,06	25863	7,58	8,70	0,55	9,60	28,70
	MED	1699	1000	32048	9,39	21845	6,40	7,40	0,47	7,20	21,53
	LOW	1172	690	20578	6,03	14409	4,22	4,80	0,30	3,30	9,87
80/65	HI	2039	1200	38809	11,37	30666	8,99	8,90	0,56	10,10	30,20
	MED	1699	1000	33202	9,73	26003	7,62	7,60	0,48	7,60	22,72
	LOW	1172	690	22410	6,57	17748	5,20	5,20	0,33	3,80	11,36
85/65	HI	2039	1200	41001	12,01	36879	10,81	9,40	0,59	11,10	33,19
	MED	1699	1000	35334	10,35	31393	9,20	8,10	0,51	8,60	25,71
	LOW	1172	690	24589	7,20	21814	6,39	5,70	0,36	4,50	13,46
76/67	HI	2039	1200	43825	12,84	25486	7,47	10,00	0,63	12,50	37,38
	MED	1699	1000	38348	11,24	22011	6,45	8,80	0,56	9,90	29,60
	LOW	1172	690	26597	7,79	15191	4,45	6,10	0,38	5,10	15,25
80/67	HI	2039	1200	44408	13,01	29953	8,78	10,20	0,64	12,90	38,57
	MED	1699	1000	38622	11,32	25685	7,53	8,80	0,56	9,80	29,30
	LOW	1172	690	25358	7,43	17406	5,10	6,30	0,40	5,40	16,15
85/67	HI	2039	1200	45076	13,21	35804	10,49	10,30	0,65	13,20	39,47
	MED	1699	1000	39214	11,49	30643	8,98	9,00	0,57	10,30	30,80
	LOW	1172	690	27850	8,16	21514	6,30	6,40	0,40	5,60	16,74



Performance data of F-VS-SD-1200-WS

Cooling Coil Air Inlet		Entering/Leaving Water Temperature											
		DB/WB	Speed	Air Flow Rate		45/54 (°F); 7/12 (°C)							
						Total Cooling		Sensible Cooling		Water Flow rate		Water Pressure drop	
m ³ /h	CFM	(X 1.000 Btu/Hr)	kW	(X 1.000 Btu/Hr)	kW	GPM	L/S	Ft.wg	kPa				
F-VS-SD-1200-WS	76/63	HI	2377	1399	37971	11,13	30309	8,88	8,70	0,55	10,70	31,99	
		MED	2200	1295	32381	9,49	25656	7,52	7,50	0,47	8,10	24,22	
		LOW	1519	894	21561	6,32	17357	5,09	5,00	0,32	3,90	11,66	
	80/63	HI	2377	1399	40236	11,79	36055	10,56	9,20	0,58	11,90	35,58	
		MED	2200	1295	34545	10,12	30634	8,98	7,90	0,50	9,00	26,91	
		LOW	1519	894	23888	7,00	21200	6,21	5,50	0,35	4,70	14,05	
	85/63	HI	2377	1399	44648	13,08	43663	12,79	10,20	0,64	14,30	42,76	
		MED	2200	1295	38275	11,21	37131	10,88	8,80	0,56	10,90	32,59	
		LOW	1519	894	26968	7,90	26000	7,62	6,30	0,40	5,90	17,64	
76/65	HI	2377	1399	43549	12,76	29540	8,66	10,00	0,63	13,70	40,96		
	MED	2200	1295	37988	11,13	25383	7,44	8,70	0,55	10,70	31,99		
	LOW	1519	894	26441	7,75	17577	5,15	6,10	0,38	5,70	17,04		
80/65	HI	2377	1399	44555	13,05	34841	10,21	10,20	0,64	14,20	42,46		
	MED	2200	1295	38756	11,36	29829	8,74	8,90	0,56	11,10	33,19		
	LOW	1519	894	27355	8,02	20859	6,11	6,30	0,40	6,00	17,94		
85/65	HI	2377	1399	46799	13,71	41756	12,23	10,70	0,68	15,50	46,35		
	MED	2200	1295	40535	11,88	35633	10,44	9,30	0,59	12,00	35,88		
	LOW	1519	894	28933	8,48	25066	7,34	6,70	0,42	6,60	19,73		
76/67	HI	2377	1399	50496	14,80	29151	8,54	11,60	0,73	17,80	53,22		
	MED	2200	1295	43982	12,89	25101	7,35	10,00	0,63	13,60	40,66		
	LOW	1519	894	32175	9,43	18031	5,28	7,40	0,47	8,00	23,92		
80/67	HI	2377	1399	50983	14,94	34097	9,99	11,70	0,74	18,10	54,12		
	MED	2200	1295	44570	13,06	29338	8,60	10,20	0,64	14,20	42,46		
	LOW	1519	894	29898	8,76	20512	6,01	7,50	0,47	8,10	24,22		
85/67	HI	2377	1399	51476	15,08	40551	11,88	11,70	0,74	18,30	54,72		
	MED	2200	1295	44917	13,16	34769	10,19	10,30	0,65	14,50	43,36		
	LOW	1519	894	32755	9,60	24768	7,26	7,50	0,47	8,20	24,52		



Performance data of F-VS-SD-600-WS [HS]

Cooling Coil Air Inlet				Entering/Leaving Water Temperature							
DB/WB	Speed	Air Flow Rate		45/54 (°F); 7/12 (°C)							
				Total Cooling		Sensible Cooling		Water Flow rate		Water Pressure drop	
		m³/h	CFM	(X 1.000 Btu/Hr)	kW	(X 1.000 Btu/Hr)	kW	GPM	L/S	Ft.wg	kPa
76/63	HI	1089	641	14250	4,18	12718	3,73	3,30	0,21	4,00	11,96
	MED	979	576	12455	3,65	11273	3,30	2,90	0,18	3,10	9,27
	LOW	780	459	10475	3,07	9265	2,71	2,40	0,15	2,10	6,28
80/63	HI	1089	641	16722	4,90	15960	4,68	3,80	0,24	5,20	15,55
	MED	979	576	13478	3,95	13478	3,95	3,10	0,20	3,50	10,47
	LOW	780	459	11955	3,50	11452	3,36	2,80	0,18	2,80	8,37
85/63	HI	1089	641	18803	5,51	18803	5,51	4,30	0,27	6,30	18,84
	MED	979	576	16977	4,97	16977	4,97	3,90	0,25	5,30	15,85
	LOW	780	459	13410	3,93	13410	3,93	3,10	0,20	3,50	10,47
76/65	HI	1089	641	16683	4,89	12420	3,64	3,90	0,25	5,20	15,55
	MED	979	576	14570	4,27	10991	3,22	3,30	0,21	4,00	11,96
	LOW	780	459	11630	3,41	8766	2,57	2,70	0,17	2,70	8,07
80/65	HI	1089	641	18278	5,36	15385	4,51	4,20	0,26	6,20	18,54
	MED	979	576	16475	4,83	13868	4,06	3,80	0,24	5,10	15,25
	LOW	780	459	12756	3,74	10897	3,19	3,00	0,19	3,30	9,87
85/65	HI	1089	641	20391	5,97	19041	5,58	4,70	0,30	7,40	22,13
	MED	979	576	18499	5,42	17232	5,05	4,20	0,26	6,20	18,54
	LOW	780	459	14783	4,33	13781	4,04	3,40	0,21	4,20	12,56
76/67	HI	1089	641	20396	5,98	12427	3,64	4,60	0,29	7,40	22,13
	MED	979	576	18650	5,46	11298	3,31	4,30	0,27	6,40	19,14
	LOW	780	459	14411	4,22	8803	2,58	3,30	0,21	4,00	11,96
80/67	HI	1089	641	21298	6,24	15074	4,42	4,90	0,31	8,10	24,22
	MED	979	576	19339	5,67	13642	4,00	4,50	0,28	8,60	25,71
	LOW	780	459	15366	4,50	10851	3,18	3,60	0,23	4,50	13,46
85/67	HI	1089	641	22328	6,54	18475	5,41	5,10	0,32	8,80	26,31
	MED	979	576	20339	5,96	16749	4,91	4,70	0,30	7,50	22,43
	LOW	780	459	16369	4,80	13437	3,94	3,80	0,24	5,10	15,25



Performance data of F-VS-SD-800-WS (HS)

Cooling Coil Air Inlet				Entering/Leaving Water Temperature							
DB/WB	Speed	Air Flow Rate		45/54 (°F); 7/12 (°C)							
		m³/h	CFM	Total Cooling		Sensible Cooling		Water Flow rate		Water Pressure drop	
				(X 1.000 Btu/Hr)	kW	(X 1.000 Btu/Hr)	kW	GPM	L/S	Ft.wg	kPa
76/63	HI	1359	800	19349	5,67	16541	4,85	4,50	0,28	5,00	14,95
	MED	1084	638	14746	4,32	12891	3,78	3,40	0,21	3,00	8,97
	LOW	865	509	12286	3,60	10499	3,08	2,90	0,18	2,00	5,98
80/63	HI	1359	800	21834	6,40	20400	5,98	5,00	0,32	6,10	18,24
	MED	1084	638	17343	5,08	16259	4,76	4,00	0,25	4,10	12,26
	LOW	865	509	13816	4,05	12958	3,80	3,20	0,20	2,60	7,77
85/63	HI	1359	800	24564	7,20	24564	7,20	5,60	0,35	7,50	22,43
	MED	1084	638	19719	5,78	19719	5,78	4,50	0,28	5,10	15,25
	LOW	865	509	15525	4,55	15525	4,55	3,60	0,23	3,40	10,17
76/65	HI	1359	800	22905	6,71	16254	4,76	5,30	0,33	6,80	20,33
	MED	1084	638	17660	5,17	12695	3,72	4,10	0,26	4,20	12,56
	LOW	865	509	13898	4,07	10008	2,93	3,30	0,21	2,70	8,07
80/65	HI	1359	800	24211	7,09	19702	5,77	5,60	0,35	7,40	22,13
	MED	1084	638	19411	5,69	15768	4,62	4,50	0,28	5,10	15,25
	LOW	865	509	14910	4,37	12309	3,61	3,50	0,22	3,20	9,57
85/65	HI	1359	800	26293	7,70	24101	7,06	6,00	0,38	8,50	25,42
	MED	1084	638	21281	6,24	19406	5,69	4,90	0,31	5,80	17,34
	LOW	865	509	16866	4,94	15422	4,52	3,90	0,25	3,90	11,66
76/67	HI	1359	800	27555	8,07	16239	4,76	6,30	0,40	9,20	27,51
	MED	1084	638	22444	6,58	13107	3,84	5,20	0,33	6,50	19,44
	LOW	865	509	17413	5,10	10198	2,99	4,10	0,26	4,20	12,56
80/67	HI	1359	800	28183	8,26	19337	5,67	6,50	0,41	9,80	29,30
	MED	1084	638	23064	6,76	15652	4,59	5,40	0,34	6,90	20,63
	LOW	865	509	18148	5,32	12341	3,62	4,20	0,26	4,50	13,46
85/67	HI	1359	800	28909	8,47	23369	6,85	6,70	0,42	10,20	30,50
	MED	1084	638	23790	6,97	18966	5,56	5,50	0,35	7,20	21,53
	LOW	865	509	19040	5,58	15136	4,43	4,40	0,28	4,90	14,65



Performance data of F-VS-SD-1000-WS (HS)

Cooling Coil Air Inlet				Entering/Leaving Water Temperature							
DB/WB	Speed	Air Flow Rate		45/54 (°F); 7/12 (°C)							
		m³/h	CFM	Total Cooling		Sensible Cooling		Water Flow rate		Water Pressure drop	
				(X 1.000 Btu/Hr)	kW	(X 1.000 Btu/Hr)	kW	GPM	L/S	Ft.wg	kPa
76/63	HI	1699	1000	24593	7,21	20842	6,11	5,80	0,37	5,70	17,04
	MED	1359	800	18913	5,54	16339	4,79	4,40	0,28	3,50	10,47
	LOW	1084	638	15211	4,46	13066	3,83	3,60	0,23	2,30	6,88
80/63	HI	1699	1000	27538	8,07	25601	7,50	6,30	0,40	6,80	20,33
	MED	1359	800	22133	6,48	20572	6,03	5,10	0,32	4,60	13,75
	LOW	1084	638	17230	5,05	16179	4,74	4,10	0,26	3,00	8,97
85/63	HI	1699	1000	30564	8,96	30564	8,96	7,00	0,44	8,20	24,52
	MED	1359	800	24684	7,23	24684	7,23	5,70	0,36	5,60	16,74
	LOW	1084	638	19505	5,71	19505	5,71	4,60	0,29	3,70	11,06
76/65	HI	1699	1000	28912	8,47	20425	5,98	6,70	0,42	7,60	22,72
	MED	1359	800	22730	6,66	16154	4,73	5,30	0,33	4,80	14,35
	LOW	1084	638	17205	5,04	12449	3,65	4,10	0,26	3,10	9,27
80/65	HI	1699	1000	30493	8,93	24731	7,25	7,10	0,45	8,30	24,82
	MED	1359	800	24747	7,25	19955	5,85	5,80	0,37	5,80	17,34
	LOW	1084	638	19211	5,63	15655	4,59	4,50	0,28	3,70	11,06
85/65	HI	1699	1000	32997	9,67	30181	8,84	7,60	0,48	9,40	28,11
	MED	1359	800	27030	7,92	24503	7,18	6,20	0,39	6,60	19,73
	LOW	1084	638	21534	6,31	19526	5,72	5,00	0,32	4,40	13,16
76/67	HI	1699	1000	34090	9,99	20143	5,90	7,80	0,49	9,90	29,60
	MED	1359	800	28508	8,35	16579	4,86	6,60	0,42	7,40	22,13
	LOW	1084	638	22437	6,57	13027	3,82	5,30	0,33	4,80	14,35
80/67	HI	1699	1000	34865	10,22	24020	7,04	8,10	0,51	10,50	31,40
	MED	1359	800	29193	8,55	19747	5,79	6,80	0,43	7,70	23,02
	LOW	1084	638	23220	6,80	15671	4,59	5,40	0,34	5,10	15,25
85/67	HI	1699	1000	35869	10,51	29104	8,53	8,30	0,52	11,10	33,19
	MED	1359	800	30111	8,82	23924	7,01	7,00	0,44	8,10	24,22
	LOW	1084	638	24223	7,10	19143	5,61	5,70	0,36	5,50	16,45



Performance data of F-VS-SD-1200-WS [HS]

Cooling Coil Air Inlet				Entering/Leaving Water Temperature							
DB/WB	Speed	Air Flow Rate		45/54 (°F); 7/12 (°C)							
		m³/h	CFM	Total Cooling		Sensible Cooling		Water Flow rate		Water Pressure drop	
				(X 1.000 Btu/Hr)	kW	(X 1.000 Btu/Hr)	kW	GPM	L/S	Ft.wg	kPa
76/63	HI	1935	1139	28511	8,35	23873	6,99	6,70	0,42	5,80	17,34
	MED	1750	1030	25324	7,42	21392	6,27	5,90	0,37	4,60	13,75
	LOW	1300	765	18167	5,32	15549	4,56	4,30	0,27	2,50	7,48
80/63	HI	1935	1139	31606	9,26	29221	8,56	7,30	0,46	6,80	20,33
	MED	1750	1030	28674	8,40	26491	7,76	6,60	0,42	5,70	17,04
	LOW	1300	765	20827	6,10	19427	5,69	4,90	0,31	3,30	9,87
85/63	HI	1935	1139	35324	10,35	35324	10,35	8,10	0,51	8,30	24,82
	MED	1750	1030	32126	9,41	32126	9,41	7,40	0,47	7,00	20,93
	LOW	1300	765	23788	6,97	23788	6,97	5,60	0,35	4,20	12,56
76/65	HI	1935	1139	33617	9,85	23441	6,87	7,80	0,49	7,80	23,32
	MED	1750	1030	30145	8,83	21076	6,18	7,00	0,44	6,30	18,84
	LOW	1300	765	21527	6,31	15215	4,46	5,10	0,32	3,60	10,76
80/65	HI	1935	1139	35218	10,32	28261	8,28	8,20	0,52	8,40	25,12
	MED	1750	1030	32095	9,40	25670	7,52	7,50	0,47	7,10	21,23
	LOW	1300	765	23529	6,89	18882	5,53	5,60	0,35	4,20	12,56
85/65	HI	1935	1139	37781	11,07	34381	10,07	8,70	0,55	9,40	28,11
	MED	1750	1030	34623	10,14	31334	9,18	8,00	0,50	8,00	23,92
	LOW	1300	765	25928	7,60	23362	6,85	6,00	0,38	4,80	14,35
76/67	HI	1935	1139	39449	11,56	23093	6,77	9,10	0,57	10,10	30,20
	MED	1750	1030	36856	10,80	21343	6,25	8,60	0,54	9,10	27,21
	LOW	1300	765	27464	8,05	15772	4,62	6,40	0,40	5,40	16,15
80/67	HI	1935	1139	40311	11,81	27486	8,05	9,30	0,59	10,70	31,99
	MED	1750	1030	37466	10,98	25268	7,40	8,70	0,55	9,40	28,11
	LOW	1300	765	28298	8,29	18882	5,53	6,60	0,42	5,70	17,04
85/67	HI	1935	1139	41309	12,10	33214	9,73	9,60	0,61	11,20	33,49
	MED	1750	1030	38305	11,22	30457	8,92	8,90	0,56	9,80	29,30
	LOW	1300	765	29248	8,57	22922	6,72	6,90	0,44	6,10	18,24



Performance data of F-VS-SD-1400-WS

Cooling Coil Air Inlet				Entering/Leaving Water Temperature							
DB/WB	Speed	Air Flow Rate		45/54 (°F); 7/12 (°C)							
		m³/h	CFM	Total Cooling		Sensible Cooling		Water Flow rate		Water Pressure drop	
				(X 1.000 Btu/Hr)	kW	(X 1.000 Btu/Hr)	kW	GPM	L/S	Ft.wg	kPa
76/63	HI	2377	1399	34018	9,97	29095	8,52	7,90	0,50	4,80	14,35
	MED	2200	1295	30823	9,03	26642	7,81	7,10	0,45	4,00	11,96
	LOW	1519	894	20975	6,15	18243	5,35	4,90	0,31	1,90	5,68
80/63	HI	2377	1399	38726	11,35	36000	10,55	8,90	0,56	6,00	17,94
	MED	2200	1295	35927	10,53	33401	9,79	8,30	0,52	5,20	15,55
	LOW	1519	894	26069	7,64	22704	6,65	5,60	0,35	2,50	7,48
85/63	HI	2377	1399	42618	12,49	42618	12,49	9,70	0,61	7,00	20,93
	MED	2200	1295	39603	11,60	39603	11,60	9,10	0,57	6,20	18,54
	LOW	1519	894	26838	7,86	26838	7,86	6,20	0,39	3,10	9,27
76/65	HI	2377	1399	39997	11,72	28517	8,36	9,30	0,59	6,40	19,14
	MED	2200	1295	36586	10,72	26217	7,68	8,40	0,53	5,40	16,15
	LOW	1519	894	23470	6,88	17304	5,07	5,60	0,35	2,50	7,48
80/65	HI	2377	1399	42693	12,51	34761	10,18	9,90	0,62	7,20	21,53
	MED	2200	1295	39732	11,64	32298	9,46	9,20	0,58	6,40	19,14
	LOW	1519	894	26178	7,67	21744	6,37	6,20	0,39	3,10	9,27
85/65	HI	2377	1399	46608	13,66	42587	12,48	10,60	0,67	8,20	24,52
	MED	2200	1295	43590	12,77	39677	11,63	10,00	0,63	7,40	22,13
	LOW	1519	894	30163	8,84	27475	8,05	7,00	0,44	3,80	11,36
76/67	HI	2377	1399	47744	13,99	28331	8,30	10,90	0,69	8,70	26,01
	MED	2200	1295	45318	13,28	26681	7,82	10,50	0,66	8,00	23,92
	LOW	1519	894	30343	8,89	17930	5,25	7,10	0,45	3,90	11,66
80/67	HI	2377	1399	48986	14,35	33838	9,91	11,30	0,71	9,20	27,51
	MED	2200	1295	46376	13,59	31767	9,31	10,70	0,68	8,40	25,12
	LOW	1519	894	32019	9,38	21881	6,41	7,50	0,47	4,30	12,86
85/67	HI	2377	1399	50494	14,79	41018	12,02	11,60	0,73	9,70	29,00
	MED	2200	1295	47742	13,99	38443	11,26	11,00	0,69	8,80	26,31
	LOW	1519	894	33714	9,88	26877	7,87	7,80	0,49	4,70	14,05



Performance data of FF-VS-SD-1600-WS

Cooling Coil Air Inlet		Entering/Leaving Water Temperature											
		DB/WB	Speed	Air Flow Rate		45/54 (°F); 7/12 (°C)							
						Total Cooling		Sensible Cooling		Water Flow rate		Water Pressure drop	
m ³ /h	CFM	(X 1.000 Btu/Hr)	kW	(X 1.000 Btu/Hr)	kW	GPM	L/S	Ft.wg	kPa				
76/63	HI	2836	1669	42531	12,46	35719	10,47	9,90	0,62	5,00	14,95		
	MED	2515	1480	36527	10,70	31125	9,12	8,40	0,53	3,70	11,06		
	LOW	1939	1141	26766	7,84	23325	6,83	6,30	0,40	2,10	6,28		
80/63	HI	2836	1669	47806	14,01	43994	12,89	11,00	0,69	6,00	17,94		
	MED	2515	1480	42260	12,38	38963	11,42	9,70	0,61	4,80	14,35		
	LOW	1939	1141	31213	9,15	29301	8,59	7,30	0,46	2,80	8,37		
85/63	HI	2836	1669	53280	15,61	53280	15,61	12,20	0,77	7,30	21,83		
	MED	2515	1480	47358	13,88	47358	13,88	10,80	0,68	5,90	17,64		
	LOW	1939	1141	36001	10,55	36001	10,55	8,30	0,52	3,70	11,06		
76/65	HI	2836	1669	50362	14,76	35162	10,30	11,70	0,74	6,70	20,03		
	MED	2515	1480	43741	12,82	30765	9,01	10,00	0,63	5,10	15,25		
	LOW	1939	1141	30613	8,97	22335	6,54	7,20	0,45	2,80	8,37		
80/65	HI	2836	1669	53203	15,59	42511	12,46	12,30	0,78	7,40	22,13		
	MED	2515	1480	47227	13,84	37718	11,05	11,00	0,69	6,00	17,94		
	LOW	1939	1141	34870	10,22	28353	8,31	8,20	0,52	3,50	10,47		
85/65	HI	2836	1669	57203	16,76	51707	15,15	13,10	0,83	8,30	24,82		
	MED	2515	1480	51342	15,04	46166	13,53	11,80	0,74	6,80	20,33		
	LOW	1939	1141	39235	11,50	35394	10,37	9,10	0,57	4,20	12,56		
76/67	HI	2836	1669	59094	17,31	34676	10,16	13,50	0,85	8,70	26,01		
	MED	2515	1480	54094	15,85	31402	9,20	12,50	0,79	7,60	22,72		
	LOW	1939	1141	40678	11,92	23649	6,93	9,50	0,60	4,60	13,75		
80/67	HI	2836	1669	60653	17,77	41296	12,10	13,90	0,88	9,30	27,81		
	MED	2515	1480	55469	16,25	37299	10,93	12,80	0,81	8,00	23,92		
	LOW	1939	1141	42396	12,42	28503	8,35	9,90	0,62	5,00	14,95		
85/67	HI	2836	1669	62422	18,29	49924	14,63	14,40	0,91	9,80	29,30		
	MED	2515	1480	56915	16,68	44935	13,17	13,20	0,83	8,40	25,12		
	LOW	1939	1141	44154	12,94	34703	10,17	10,20	0,64	5,30	15,85		



Performance data of F-VS-SD-1800-WS

Cooling Coil Air Inlet		Entering/Leaving Water Temperature											
		DB/WB	Speed	Air Flow Rate		45/54 (°F); 7/12 (°C)							
						Total Cooling		Sensible Cooling		Water Flow rate		Water Pressure drop	
m³/h	CFM	(X 1.000 Btu/Hr)	kW	(X 1.000 Btu/Hr)	kW	GPM	L/S	Ft.wg	kPa				
F-VS-SD-1800-WS	76/63	HI	3057	1799	47031	13,78	38815	11,37	10,90	0,69	6,20	18,54	
		MED	2778	1635	42404	12,42	35105	10,29	9,90	0,62	5,10	15,25	
		LOW	2379	1400	35048	10,27	29432	8,62	8,20	0,52	3,70	11,06	
	80/63	HI	3057	1799	52171	15,29	47488	13,91	12,00	0,76	7,40	22,13	
		MED	2778	1635	47495	13,92	43200	12,66	11,00	0,69	6,30	18,84	
		LOW	2379	1400	40445	11,85	36849	10,80	9,40	0,59	4,70	14,05	
	85/63	HI	3057	1799	57499	16,85	57499	16,85	13,30	0,84	8,80	26,31	
		MED	2778	1635	52737	15,45	52737	15,45	12,20	0,77	7,50	22,43	
		LOW	2379	1400	45166	13,23	45166	13,23	10,50	0,66	5,70	17,04	
	76/65	HI	3057	1799	55091	16,14	38013	11,14	12,70	0,80	8,20	24,52	
		MED	2778	1635	50228	14,72	34576	10,13	11,60	0,73	6,90	20,63	
		LOW	2379	1400	42906	12,57	29475	8,64	10,10	0,64	5,30	15,85	
	80/65	HI	3057	1799	57664	16,90	45734	13,40	13,40	0,85	9,00	26,91	
		MED	2778	1635	53370	15,64	41969	12,30	12,50	0,79	7,90	23,62	
		LOW	2379	1400	45610	13,36	35835	10,50	10,70	0,68	6,00	17,94	
	85/65	HI	3057	1799	61515	18,02	55450	16,25	14,10	0,89	9,90	29,60	
		MED	2778	1635	56901	16,67	50830	14,89	13,10	0,83	8,60	25,71	
		LOW	2379	1400	49249	14,43	43738	12,82	11,40	0,72	6,70	20,03	
	76/67	HI	3057	1799	63851	18,71	37213	10,90	14,70	0,93	10,60	31,69	
		MED	2778	1635	59795	17,52	34487	10,10	13,90	0,88	9,60	28,70	
		LOW	2379	1400	52622	15,42	30011	8,79	12,30	0,78	7,70	23,02	
	80/67	HI	3057	1799	65451	19,18	44312	12,98	15,20	0,96	11,30	33,79	
		MED	2778	1635	60932	17,85	40841	11,97	14,20	0,90	9,90	29,60	
		LOW	2379	1400	53868	15,78	35597	10,43	12,60	0,79	8,00	23,92	
	85/67	HI	3057	1799	67208	19,69	53549	15,69	15,60	0,98	11,80	35,28	
		MED	2778	1635	62430	18,29	49224	14,42	14,50	0,91	10,40	31,10	
		LOW	2379	1400	55124	16,15	42813	12,54	12,90	0,81	8,30	24,82	



Performance data of F-VS-SD-2000-WS

Cooling Coil Air Inlet				Entering/Leaving Water Temperature							
DB/WB	Speed	Air Flow Rate		45/54 (°F); 7/12 (°C)							
		m³/h	CFM	Total Cooling		Sensible Cooling		Water Flow rate		Water Pressure drop	
				(X 1.000 Btu/Hr)	kW	(X 1.000 Btu/Hr)	kW	GPM	L/S	Ft.wg	kPa
76/63	HI	3381	1990	53073	15,55	43194	12,66	12,20	0,77	8,50	25,42
	MED	3109	1830	49026	14,36	39836	11,67	11,30	0,71	7,40	22,13
	LOW	2387	1405	37420	10,96	30449	8,92	8,80	0,56	4,70	14,05
80/63	HI	3381	1990	57425	16,83	52175	15,29	13,20	0,83	9,80	29,30
	MED	3109	1830	53558	15,69	48393	14,18	12,40	0,78	8,70	26,01
	LOW	2387	1405	41621	12,19	37408	10,96	9,80	0,62	5,70	17,04
85/63	HI	3381	1990	62833	18,41	62833	18,41	14,40	0,91	11,40	34,09
	MED	3109	1830	58550	17,16	58550	17,16	13,40	0,85	10,10	30,20
	LOW	2387	1405	47408	13,89	46078	13,50	11,10	0,70	7,10	21,23
76/65	HI	3381	1990	60789	17,81	41863	12,27	14,00	0,88	10,80	32,29
	MED	3109	1830	57166	16,75	39029	11,44	13,20	0,83	9,70	29,00
	LOW	2387	1405	44980	13,18	30335	8,89	10,60	0,67	6,50	19,44
80/65	HI	3381	1990	63121	18,49	50120	14,69	14,60	0,92	11,70	34,98
	MED	3109	1830	59343	17,39	46664	13,67	13,80	0,87	10,60	31,69
	LOW	2387	1405	46966	13,76	36399	10,66	11,00	0,69	7,00	20,93
85/65	HI	3381	1990	67064	19,65	60622	17,76	15,40	0,97	12,80	38,27
	MED	3109	1830	62749	18,39	56262	16,48	14,40	0,91	11,40	34,09
	LOW	2387	1405	50166	14,70	44155	11,70	13,20	0,83	7,90	23,62
76/67	HI	3381	1990	70385	20,62	41005	12,01	16,10	1,02	13,90	41,56
	MED	3109	1830	66567	19,50	38444	11,26	15,40	0,97	12,90	38,57
	LOW	2387	1405	54474	15,96	30781	9,02	12,70	0,80	9,10	27,21
80/67	HI	3381	1990	71812	21,04	48648	14,25	16,60	1,05	14,70	43,95
	MED	3109	1830	67561	19,80	45374	13,29	15,60	0,98	13,20	39,47
	LOW	2387	1405	55195	16,17	36151	10,59	12,90	0,81	9,30	27,81
85/67	HI	3381	1990	73445	21,52	58619	17,18	17,00	1,07	15,40	46,05
	MED	3109	1830	68975	20,21	54560	15,99	16,00	1,01	13,80	41,26
	LOW	2387	1405	55972	16,40	43176	12,65	13,00	0,82	9,50	28,41



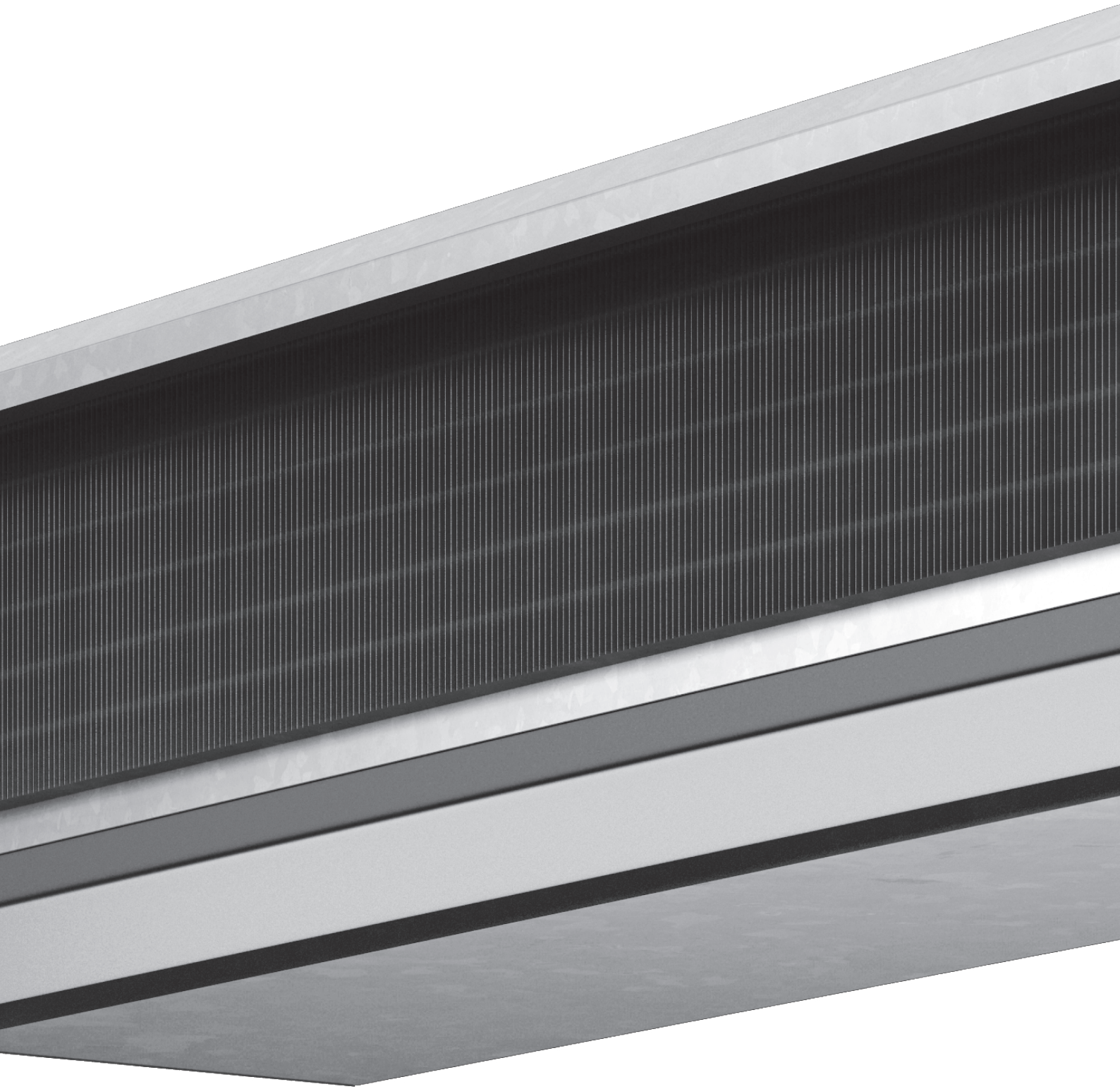
Performance data of F-VS-SD-2400-WS

Cooling Coil Air Inlet				Entering/Leaving Water Temperature							
DB/WB	Speed	Air Flow Rate		45/54 (°F); 7/12 (°C)							
		m³/h	CFM	Total Cooling		Sensible Cooling		Water Flow rate		Water Pressure drop	
				(X 1.000 Btu/Hr)	kW	(X 1.000 Btu/Hr)	kW	GPM	L/S	Ft.wg	kPa
76/63	HI	4040	2378	59195	17,34	49939	14,63	13,70	0,86	6,40	19,14
	MED	3767	2217	55024	16,12	46500	13,62	12,80	0,81	5,60	16,74
	LOW	2586	1522	34900	10,23	30501	8,94	8,40	0,53	2,60	7,77
80/63	HI	4040	2378	66830	19,58	61666	18,07	15,40	0,97	7,90	23,62
	MED	3767	2217	62555	18,33	57685	16,90	14,50	0,91	7,10	21,23
	LOW	2586	1522	42227	12,37	39189	11,48	10,00	0,63	3,60	10,76
85/63	HI	4040	2378	72378	21,21	72378	21,21	16,70	1,05	9,10	27,21
	MED	3767	2217	68181	19,98	68181	19,98	15,70	0,99	8,20	24,52
	LOW	2586	1522	46969	13,76	46969	13,76	11,10	0,70	4,40	13,16
76/65	HI	4040	2378	68929	20,20	48977	14,35	15,90	1,00	8,40	25,12
	MED	3767	2217	64569	18,92	45801	13,42	14,90	0,94	7,50	22,43
	LOW	2586	1522	42187	12,36	30388	8,90	10,00	0,63	3,60	10,76
80/65	HI	4040	2378	73041	21,40	59313	17,38	17,00	1,07	9,40	28,11
	MED	3767	2217	69413	20,34	55947	16,39	16,20	1,02	8,70	26,01
	LOW	2586	1522	47492	13,92	38271	11,21	11,20	0,71	4,40	13,16
85/65	HI	4040	2378	78956	23,13	72210	21,16	18,10	1,14	10,60	31,69
	MED	3767	2217	74775	21,91	67989	19,92	17,20	1,09	9,70	29,00
	LOW	2586	1522	53236	15,60	47689	13,97	12,50	0,79	5,40	16,15
76/67	HI	4040	2378	80245	23,51	47890	14,03	18,15	1,14	10,30	30,79
	MED	3767	2217	76818	22,51	45467	13,32	17,80	1,12	10,30	30,80
	LOW	2586	1522	54829	16,06	31891	9,34	12,90	0,81	5,70	17,04
80/67	HI	4040	2378	82475	24,17	57430	16,83	19,10	1,21	11,70	34,98
	MED	3767	2217	78609	23,03	54262	15,90	18,30	1,15	10,80	32,29
	LOW	2586	1522	56719	16,62	38346	11,24	13,30	0,84	6,10	18,24
85/67	HI	4040	2378	85741	25,12	69864	20,47	19,80	1,25	12,50	37,38
	MED	3767	2217	81389	23,85	65857	19,30	18,90	1,19	11,40	34,09
	LOW	2586	1522	59359	17,39	46804	13,71	13,90	0,88	6,50	19,44



Performance data of F-VS-SD-3000-WS

Cooling Coil Air Inlet				Entering/Leaving Water Temperature							
DB/WB	Speed	Air Flow Rate		45/54 (°F); 7/12 (°C)							
		m³/h	CFM	Total Cooling		Sensible Cooling		Water Flow rate		Water Pressure drop	
				(X 1.000 Btu/Hr)	kW	(X 1.000 Btu/Hr)	kW	GPM	L/S	Ft.wg	kPa
76/63	HI	5437	3200	72775	21,32	63851	18,71	17,00	1,07	5,80	17,34
	MED	5012	2950	66691	19,54	58623	17,18	15,60	0,98	4,90	14,65
	LOW	3758	2212	44548	13,05	40992	12,01	10,80	0,68	2,50	7,48
80/63	HI	5437	3200	84799	24,85	79993	23,44	19,70	1,24	7,50	22,43
	MED	5012	2950	78542	23,01	74032	21,69	18,30	1,15	6,50	19,44
	LOW	3758	2212	58524	17,15	55305	16,20	14,00	0,88	4,00	11,96
85/63	HI	5437	3200	92147	27,00	92147	27,00	21,30	1,34	8,70	26,01
	MED	5012	2950	86162	25,25	86162	25,25	20,00	1,26	7,70	23,02
	LOW	3758	2212	64872	19,01	64872	19,01	15,40	0,97	4,80	14,35
76/65	HI	5437	3200	84029	24,62	62331	18,26	19,50	1,23	7,40	22,13
	MED	5012	2950	77747	22,78	57623	16,88	18,10	1,14	6,40	19,14
	LOW	3758	2212	46896	13,74	38063	11,15	11,00	0,69	2,60	7,77
80/65	HI	5437	3200	91446	26,79	77084	22,59	21,40	1,35	8,70	26,01
	MED	5012	2950	86107	25,23	72032	21,11	20,20	1,27	7,80	23,32
	LOW	3758	2212	64388	18,87	54059	15,84	15,30	0,97	4,70	14,05
85/65	HI	5437	3200	101238	29,66	94654	27,73	23,30	1,47	10,20	30,50
	MED	5012	2950	95326	27,93	88543	25,94	22,10	1,39	9,20	27,51
	LOW	3758	2212	74514	21,83	68157	19,97	17,60	1,11	6,10	18,24
76/67	HI	5437	3200	99481	29,15	61053	17,89	23,20	1,46	10,10	30,20
	MED	5012	2950	94395	27,66	57380	16,81	22,10	1,39	9,20	27,51
	LOW	3758	2212	76947	22,55	45414	13,31	18,70	1,18	6,90	20,63
80/67	HI	5437	3200	102606	30,06	74165	21,73	23,90	1,51	10,70	31,99
	MED	5012	2950	97078	28,44	69491	20,36	22,70	1,43	9,70	29,00
	LOW	3758	2212	76763	22,49	53786	15,76	18,10	1,14	6,40	19,14
85/67	HI	5437	3200	108162	31,69	91393	26,78	25,10	1,58	11,70	34,98
	MED	5012	2950	102149	29,93	85572	25,07	23,80	1,50	10,60	31,69
	LOW	3758	2212	81602	23,91	66571	19,51	19,20	1,21	7,10	21,23





Fan Characteristics - Low Static

Air Flow (CFM)

Model	Speed	External static pressure (Pa)			
		0	25	50	75
F-VS-SD-200-WS	H	265	235	207	155
	M	255	220	190	143
	L	157	142	133	114
F-VS-SD-300-WS	H	494	449	420	315
	M	445	403	350	300
	L	284	258	241	207
F-VS-SD-400-WS	H	580	528	480	384
	M	508	460	400	343
	L	334	303	276	237
F-VS-SD-600-WS	H	871	792	720	576
	M	762	690	600	515
	L	501	455	414	355
F-VS-SD-800-WS	H	1161	1056	960	768
	M	1016	920	800	687
	L	668	607	552	474
F-VS-SD-1000-WS	H	1452	1320	1200	960
	M	1270	1150	1000	858
	L	834	759	690	592
F-VS-SD-1200-WS	H	1626	1478	1344	1062
	M	1366	1266	1120	961
	L	935	850	772	663

Current (Amps)

Model	Speed	External static pressure (Pa)		
		0	25	50
F-VS-SD-200-WS	H	0,56	0,53	0,50
	M	0,51	0,48	0,46
	L	0,44	0,41	0,39
F-VS-SD-300-WS	H	0,88	0,83	0,79
	M	0,71	0,67	0,63
	L	0,59	0,56	0,53
F-VS-SD-400-WS	H	0,89	0,84	0,80
	M	0,72	0,68	0,64
	L	0,60	0,57	0,53
F-VS-SD-600-WS	H	0,88	0,83	0,82
	M	0,83	0,78	0,74
	L	0,68	0,65	0,61
F-VS-SD-800-WS	H	1,61	1,52	1,43
	M	1,27	1,20	1,13
	L	1,15	1,08	1,02
F-VS-SD-1000-WS	H	1,73	1,64	1,54
	M	1,33	1,26	1,19
	L	1,17	1,11	1,04
F-VS-SD-1200-WS	H	1,77	1,67	1,58
	M	1,48	1,39	1,31
	L	1,18	1,12	1,05

Input Power (Watts)

Model	Speed	External static pressure (Pa)		
		0	25	50
F-VS-SD-200-WS	H	129	122	115
	M	118	111	105
	L	101	95	90
F-VS-SD-300-WS	H	203	192	181
	M	163	154	145
	L	136	128	121
F-VS-SD-400-WS	H	206	194	183
	M	165	156	147
	L	138	130	123
F-VS-SD-600-WS	H	247	233	220
	M	191	180	170
	L	157	148	140
F-VS-SD-800-WS	H	371	350	330
	M	292	276	260
	L	264	249	235
F-VS-SD-1000-WS	H	399	376	355
	M	307	289	273
	L	270	254	240
F-VS-SD-1200-WS	H	408	385	363
	M	339	320	302
	L	272	257	242



Fan Characteristics - High Static

Air Flow (CFM)

Model	Speed	External static pressure (Pa)		
		50	75	100
F-VS-SD -600-WS (HS)	H	641	550	473
	M	576	494	425
	L	459	394	339
F-VS-SD -800-WS (HS)	H	800	686	590
	M	638	547	471
	L	509	437	376
F-VS-SD -1000-WS (HS)	H	1000	858	738
	M	800	686	590
	L	638	547	471
F-VS-SD- 1200-WS (HS)	H	1139	977	840
	M	1030	884	760
	L	765	656	564
F-VS-SD -1400-WS	H	1399	1200	1032
	M	1295	1111	956
	L	894	767	660
FF-VS-SD -1600-WS	H	1669	1432	1232
	M	1480	1270	1092
	L	1141	979	842
F-VS-SD- 1800-WS	H	1799	1544	1327
	M	1635	1403	1206
	L	1400	1201	1033
F-VS-SD -2000-WS	H	1990	1708	1468
	M	1830	1571	1350
	L	1405	1194	101
F-VS-SD -2400-WS	H	2378	2041	1755
	M	2217	1902	1636
	L	1522	1294	1100
F-VS-SD -3000-WS	H	3200	2746	2361
	M	2950	2531	2177
	L	2212	1880	1598

Current (Amps)

Model	Speed	External static pressure (Pa)		
		50	75	100
F-VS-SD -600-WS (HS)	H	1,00	0,94	0,80
	M	0,80	0,76	0,64
	L	0,64	0,60	0,51
F-VS-SD -800-WS (HS)	H	1,36	1,28	1,09
	M	1,09	1,02	0,87
	L	0,87	0,82	0,70
F-VS-SD -1000-WS (HS)	H	1,85	1,74	1,48
	M	1,48	1,39	1,18
	L	1,18	1,11	0,95
F-VS-SD- 1200-WS (HS)	H	2,37	2,23	1,90
	M	1,83	1,72	1,46
	L	1,46	1,37	1,17
F-VS-SD -1400-WS	H	2,63	2,41	2,11
	M	2,09	1,98	1,72
	L	1,72	1,59	1,47
FF-VS-SD -1600-WS	H	2,72	2,56	2,18
	M	2,18	2,05	1,74
	L	1,74	1,63	1,39
F-VS-SD- 1800-WS	H	2,96	2,78	2,37
	M	2,37	2,23	1,90
	L	1,90	1,78	1,52
F-VS-SD -2000-WS	H	3,62	3,40	2,90
	M	2,80	2,64	2,24
	L	2,39	2,25	1,91
F-VS-SD -2400-WS	H	4,35	4,09	3,48
	M	3,65	3,43	2,92
	L	2,92	2,75	2,34
F-VS-SD -3000-WS	H	6,52	6,13	5,22
	M	5,48	5,15	4,38
	L	4,38	4,12	3,51

Input Power (Watts)

Model	Speed	External static pressure (Pa)		
		50	75	100
F-VS-SD -600-WS (HS)	H	231	217	185
	M	185	174	148
	L	148	139	118
F-VS-SD -800-WS (HS)	H	312	293	250
	M	250	235	200
	L	200	188	160
F-VS-SD -1000-WS (HS)	H	425	400	340
	M	340	320	272
	L	272	256	218
F-VS-SD- 1200-WS (HS)	H	545	512	436
	M	420	395	336
	L	336	316	269
F-VS-SD -1400-WS	H	605	554	486
	M	480	455	396
	L	396	366	339
FF-VS-SD -1600-WS	H	626	588	501
	M	501	471	401
	L	400	376	320
F-VS-SD- 1800-WS	H	681	640	545
	M	545	512	436
	L	436	410	349
F-VS-SD -2000-WS	H	833	783	666
	M	645	606	516
	L	550	517	440
F-VS-SD -2400-WS	H	1000	940	800
	M	840	790	672
	L	672	632	538
F-VS-SD -3000-WS	H	1500	1410	1200
	M	1260	1184	1008
	L	1008	948	806



Sound Data

Unit operating conditions are the following:
 Air on coil DBT 80 °F / WBT 67 °F , water at (7°C / 12°C) (44.6°F/53.6°F) Chilled water
 Sound Pressure Level according to ISO 11203 at 1 meter from the unit

Model	ESP in.wg	Speed	Freq [Hz]								Sound Power Level	Sound Pressure Level
			63	125	250	500	1000	2000	4000	8000	dB(A)	dB(A)
			dB(A)	dB(A)	dB(A)	dB(A)	dB(A)	dB(A)	dB(A)	dB(A)		
F-VS-SD-200-WS	ESP 50 Pa	H	22,5	34,2	38	38,6	37,2	33,6	30,7	22,8	62	44
		M	21,5	30,9	36,2	37,5	34,1	31,2	28,5	21,8	57	42
		L	20,4	25,4	31,6	31,7	29,4	26,8	23,4	18,8	55	37
F-VS-SD-300-WS	ESP 50 Pa	H	22,5	34,2	38	38,6	37,2	33,6	30,7	22,8	62	44
		M	21,5	30,9	36,2	37,5	34,1	31,2	28,5	21,8	57	42
		L	20,4	25,4	31,6	31,7	29,4	26,8	23,4	18,8	55	37
F-VS-SD-400-WS	ESP 50 Pa	H	24,5	36,2	40	40,6	39,2	35,6	32,7	24,8	62	46
		M	23,5	31,8	37,2	38,5	35,1	32,2	29,2	24,4	58	43
		L	21,4	26,4	32,6	32,7	30,4	27,8	24,4	19,8	55	38
F-VS-SD-600-WS	ESP 50 Pa	H	30	41,2	44,9	45,5	44,4	40,8	37,5	29,5	66	51
		M	28,1	33,2	39,1	40,6	36,5	34	32,5	27,5	60	45
		L	22,1	27,4	33,7	33,9	31,3	28,4	25,2	20,7	55	39
F-VS-SD-800-WS	ESP 50 Pa	H	31,4	43	45,8	46,4	45,4	41,6	38,2	30,2	68	52
		M	28,3	33,5	39,1	40,3	36,7	35,1	32,7	27,2	61	45
		L	22,1	27,4	33,6	33,8	31,1	28,6	25,8	21,7	55	39
F-VS-SD-1000-WS	ESP 50 Pa	H	32,2	40,2	48	48,9	45,7	42,4	39,2	31,2	68	53
		M	30,3	35,4	41,2	42,2	39,9	37,1	33,3	29,3	62	47
		L	24,2	29,3	35,5	35,9	33,2	30,8	27,7	23,9	56	41
F-VS-SD-1200-WS	ESP 50 Pa	H	32,2	40,2	47,1	48	46,8	42,2	39,2	31,2	68	53
		M	31,2	36,2	42,3	43,1	40,1	38,2	34,5	30,5	63	48
		L	27,2	32,3	28,5	39,5	37,2	34,8	31,7	27,5	58	43



Sound Data

Unit operating conditions are the following:
Air on coil DBT 80 °F / WBT 67 °F, water at (7°C / 12°C) (44.6°F/53.6°F) Chilled water
Sound Pressure Level according to ISO 11203 at 1 meter from the unit

Model	ESP in.wg	Speed	Freq [Hz]								Sound Power Level	Sound Pressure Level
			63	125	250	500	1000	2000	4000	8000	dB(A)	dB(A)
			dB(A)	dB(A)	dB(A)	dB(A)	dB(A)	dB(A)	dB(A)	dB(A)		
F-VS-SD -600-WS (HS)	ESP 50 Pa	H	25,1	34,7	36,8	40,8	43,7	40,6	38,2	32,3	62	48
		M	24,1	33,5	35,6	40	41,9	35,4	36,5	28,3	60	46
		L	22,6	29,3	30,5	37,5	39,1	34,3	30,8	23,5	57	43
F-VS-SD -800-WS (HS)	ESP 50 Pa	H	30,1	39,7	41,8	45,8	48,7	45,6	44,2	38,3	67	53
		M	28,1	37,7	38,6	44	46,9	43,4	41,5	37,3	65	51
		L	26,5	35,4	36,5	42,7	43,9	38,8	35,3	29,5	63	48
F-VS-SD -1000-WS (HS)	ESP 50 Pa	H	31,1	40,6	42,5	46,9	49,8	46,8	45,8	39,2	68	54
		M	30,3	39,5	40,2	46,5	48,3	45,8	43,5	38,4	67	53
		L	28,9	37,6	38,2	44,9	45,6	41,5	37,6	31,8	64	50
F-VS-SD -1200-WS (HS)	ESP 50 Pa	H	31,1	40,6	42,5	46,9	49,8	46,8	45,8	39,2	68	54
		M	30,3	39,5	40,2	46,5	48,3	45,8	43,5	38,4	67	53
		L	28,9	37,6	38,2	44,9	45,6	41,5	37,6	31,8	64	50
F-VS-SD -1400-WS	ESP 50 Pa	H	32,2	40,9	43,5	47,6	50,5	47,3	47,1	40,5	69	55
		M	31,5	40,7	42,5	47,2	49,1	46,7	45,1	39,8	68	54
		L	27,9	36,5	37,3	43,5	44,9	40,6	36,8	32,4	64	49
F-VS-SD -1600-WS	ESP 50 Pa	H	33,5	42,1	44,3	48,1	51,9	48,2	47,5	42,5	70	56
		M	31,5	40,7	42,5	47,2	49,1	46,7	45,1	39,8	68	54
		L	28,1	37,7	38,6	44	46,9	43,4	41,5	37,3	65	51
F-VS-SD -1800-WS	ESP 50 Pa	H	33,5	42,1	44,3	48,1	51,9	48,2	47,5	42,5	70	56
		M	31,5	40,7	42,5	47,2	49,1	46,7	45,1	39,8	68	54
		L	28,1	37,7	38,6	44	46,9	43,4	41,5	37,3	65	51
F-VS-SD -2000-WS	ESP 50 Pa	H	35,6	44,5	46,8	50,3	53,9	50,8	49,8	44,7	72	58
		M	34,2	43,2	45,5	49,8	52,2	49,5	48,8	43,1	71	57
		L	31,4	42	44,8	46,4	45,4	43,6	40,5	32,2	66	52
F-VS-SD -2400-WS	ESP 50 Pa	H	35,6	44,5	46,8	50,3	53,9	50,8	49,8	44,7	72	58
		M	34,2	43,2	45,5	49,8	52,2	49,5	48,8	43,1	71	57
		L	31,4	42	44,8	46,4	45,4	43,6	40,5	32,2	66	52
F-VS-SD -3000-WS	ESP 50 Pa	H	35,6	44,5	46,8	50,3	53,9	50,8	49,8	44,7	72	58
		M	34,2	43,2	45,5	49,8	52,2	49,5	48,8	43,1	71	57
		L	31,4	42	44,8	46,4	45,4	43,6	40,5	32,2	66	52



District cooling [WD] - Product family and general technical specification

Rated parameters		Units	Speed	F-VS-SD-200-WD	F-VS-SD-300-WD	F-VS-SD-400-WD	F-VS-SD-600-WD	F-VS-SD-800-WD
				Low Static District Cooling Unit				
Cooling Capacity at DBT 76°F / WBT 63°F water at (5.5°C / 14.5°C) (42°F/58°F)	Total	BTU/hr	Med Speed	4815	8076	9853	16962	21911
	Sensible	[BTU/hr]	Med Speed	3985	7016	8358	13582	17590
Cooling Capacity at DBT 76°F / WBT 63°F water at (5.5°C / 14.5°C) (42°F/58°F)	Total	KW	Med Speed	1,41	2,37	2,89	4,97	6,42
	Sensible	KW	Med Speed	1,17	2,06	2,45	3,98	5,15
Air Flow at 0,2" wg (Low Static Unit)	-	[CFM]	Med Speed	190	350	400	600	800
Air Flow at 0,0 wg (Low Static Unit)	-	[CFM]	Med Speed	255	445	508	762	1016
Air Flow at 0,4" wg (High Static Unit)	-	[CFM]	Med Speed	-	-	-	-	-
Air Flow at 0,2 wg (High Static Unit)	-	[CFM]	Med Speed	-	-	-	-	-
Sound Pressure Level according to ISO 11203 at 1 meter from the unit	-	[dB(A)]	High Speed	44	44	46	51	52
	-	[dB(A)]	Med Speed	42	42	43	45	45
	-	[dB(A)]	Low Speed	37	37	38	39	39
Coil	Type	{}	-	3/8", 0.28mm Thick Copper tubes				
	Row / FPI	{}	-	4/10.58	4/10.58	4/10.58	4/10.58	4/10.58
	Nominal water flow rate	US GPM	Med Speed	0,70	1,05	1,40	2,10	2,80
Fan	Type	{}	-	Centrifugal , Forward Curve DIDW				
	Material	{}	-	GI				
	Quantity	[mm x mm]	-	1	2	2	2	3
Fan motor	Power Supply (Output)	[W]	-	50	80	80	80	130
	Power Input (Med)	[W]	-	105	145	147	170	260
	RLA (Med)	[A]	-	0,46	0,63	0,64	0,74	1,13
	Type/Class/IP	{}	-	Class B/IP20	Class B/IP20	Class B/IP20	Class B/IP20	Class B/IP20
	Revolutions	[rpm]	H/M/L	1400/1330/1200	1400/1330/1200	1400/1330/1200	1400/1330/1200	1400/1330/1200
Drive method	-	{}	-	Direct Drive				
Weight	Unit	[kg]	-	18	20	23	28	36
	Shipping	[kg]	-	20	22	25	30	39
Unit Dimensions	L	[mm]	-	790	890	990	1240	1490
	W	[mm]	-	550 +/-5				
	H	[mm]	-	250 +/-5				
Shipping Dimensions	L	[mm]	-	815	915	1015	1265	1515
	W	[mm]	-	560 +/-5				
	H	[mm]	-	260 +/-5				
Connections	Inlet (MPT)	[inch]	-	1/2" NPS	1/2" NPS	1/2" NPS	1/2" NPS	3/4" NPS
	Outlet (MPT)	[inch]	-	1/2" NPS	1/2" NPS	1/2" NPS	1/2" NPS	3/4" NPS
	Drain Pipe Size	[inch]	-	3/4	3/4	3/4	3/4	3/4



District cooling (WD) - Product family and general technical specification

Rated parameters		Units	Speed	F-VS-SD-1000-WD	F-VS-SD-1200-WD	F-VS-SD-600-WD (HS)	F-VS-SD-800-WD (HS)
				Low Static District Cooling Unit		High Static District Cooling Unit	
Cooling Capacity at DBT 76°F / WBT 63°F water at (5.5°C / 14.5°C) (42°F/58°F)	Total	BTU/hr	Med Speed	26826	28055	14109	17525
	Sensible	[BTU/hr]	Med Speed	21770	23389	11176	14230
Cooling Capacity at DBT 76°F / WBT 63°F water at (5.5°C / 14.5°C) (42°F/58°F)	Total	KW	Med Speed	7,86	8,22	4,13	5,13
	Sensible	KW	Med Speed	6,38	6,85	3,27	4,17
Air Flow at 0,2" wg (Low Static Unit)	-	[CFM]	Med Speed	1000	1120	-	-
Air Flow at 0,0 wg (Low Static Unit)	-	[CFM]	Med Speed	1270	1366	-	-
Air Flow at 0,4" wg (High Static Unit)	-	[CFM]	Med Speed	-	-	354	473
Air Flow at 0,2 wg (High Static Unit)	-	[CFM]	Med Speed	-	-	480	641
Sound Pressure Level according to ISO 11203 at 1 meter from the unit	-	[dB(A)]	High Speed	53	53	48	53
	-	[dB(A)]	Med Speed	47	48	46	51
	-	[dB(A)]	Low Speed	41	43	43	48
Coil	Type	{}	-	3/8" ,0.28mm Thick Copper tubes			
	Row / FPI	{}	-	4/10.58	4/10.58	4/15	4/15
	Nominal water flow rate	US GPM	Med Speed	3,50	4,20	2,25	3
Fan	Type	{}	-	Centrifugal , Forward Curve DIDW			
	Material	{}	-	GI			
	Quantity	[mm x mm]	-	4	4	1	1
Fan motor	Power Supply (Output)	[W]	-	160	160	100	150
	Power Input (Med)	[W]	-	273	302	185	250
	RLA (Med)	[A]	-	1,19	1,31	0,80	1,09
	Type/Class/IP	{}	-	Class B/IP20	Class B/IP20	Class B/IP20	Class B/IP20
	Revolutions	[rpm]	H/M/L	1400/1330/1200	1400/1330/1200	1350/1250/1000	1350/1250/1000
Drive method	-	{}	-	Direct Drive			
Weight	Unit	[kg]	-	41	45	26	29
	Shipping	[kg]	-	44	50	28	31
Unit Dimensions	L	[mm]	-	1690	1890	890	940
	W	[mm]	-	550 +/-5		630 +/-5	
	H	[mm]	-	250 +/-5		335 +/-5	
Shipping Dimensions	L	[mm]	-	1715	1915	905	955
	W	[mm]	-	560 +/-5		640 +/-5	
	H	[mm]	-	260 +/-5		345 +/-5	
Connections	Inlet (MPT)	[inch]	-	3/4" NPS	3/4" NPS	1/2" NPS	3/4" NPS
	Outlet (MPT)	[inch]	-	3/4" NPS	3/4" NPS	1/2" NPS	3/4" NPS
	Drain Pipe Size	[inch]	-	3/4	3/4	3/4	3/4



District cooling [WD] - Product family and general technical specification

Rated parameters		Units	Speed	F-VS-SD-1000-WD (HS)	F-VS-SD-1200-WD (HS)	F-VS-SD-1400-WD	F-VS-SD-1600-WD
				High Static District Cooling Unit			
Cooling Capacity at DBT 76°F / WBT 63°F water at (5.5°C / 14.5°C) (42°F/58°F)	Total	BTU/hr	Med Speed	21626	27144	35882	43596
	Sensible	[BTU/hr]	Med Speed	17637	22462	29111	34374
Cooling Capacity at DBT 76°F / WBT 63°F water at (5.5°C / 14.5°C) (42°F/58°F)	Total	KW	Med Speed	6,34	7,95	10,51	12,77
	Sensible	KW	Med Speed	5,17	6,58	8,53	10,07
Air Flow at 0,2" wg (Low Static Unit)	-	[CFM]	Med Speed	-	-	-	-
Air Flow at 0,0 wg (Low Static Unit)	-	[CFM]	Med Speed	-	-	-	-
Air Flow at 0,4" wg (High Static Unit)	-	[CFM]	Med Speed	590	708	885	945
Air Flow at 0,2 wg (High Static Unit)	-	[CFM]	Med Speed	800	1050	1305	1490
Sound Pressure Level according to ISO 11203 at 1 meter from the unit	-	[dB(A)]	High Speed	54	54	54	56
	-	[dB(A)]	Med Speed	53	53	52	54
	-	[dB(A)]	Low Speed	50	50	49	51
Coil	Type	{}	-	3/8" ,0.28mm Thick Copper tubes			
	Row / FPI	{}	-	4/15	4/15	4/15	4/15
	Nomi-l water flow rate	US GPM	Med Speed	3,75	4,5	5,25	6
Fan	Type	{}	-	Centrifugal , Forward Curve DIDW			
	Material	{}	-	GI			
	Quantity	[mm x mm]	-	1	1	2	2
Fan motor	Power Supply (Output)	[W]	-	200	250	300	300
	Power Input (Med)	[W]	-	340	420	480	501
	RLA (Med)	[A]	-	1,48	1,83	2,09	2,18
	Type/Class/IP	{}	-	Class B/IP20	Class B/IP20	Class B/IP20	Class B/IP20
	Revolutions	[rpm]	H/M/L	1350/1250/1000	1350/1250/1000	1350/1250/1000	1350/1250/1000
Drive method	-	{}	-	Direct Drive			
Weight	Unit	[kg]	-	32	35	45	47
	Shipping	[kg]	-	34	37	49	51
Unit Dimensions	L	[mm]	-	1090	1190	1390	1440
	W	[mm]	-	630 +/-5			
	H	[mm]	-	335 +/-5			
Shipping Dimensions	L	[mm]	-	1105	1205	1405	1455
	W	[mm]	-	640 +/-5			
	H	[mm]	-	345 +/-5			
Connections	Inlet (MPT)	[inch]	-	3/4" NPS	3/4" NPS	1" NPS	1" NPS
	Outlet (MPT)	[inch]	-	3/4" NPS	3/4" NPS	1" NPS	1" NPS
	Drain Pipe Size	[inch]	-	3/4	3/4	3/4	3/4



District cooling (WD) - Product family and general technical specification

Rated parameters		Units	Speed	F-VS-SD-1800-WD	F-VS-SD-2000-WD	F-VS-SD-2400-WD	F-VS-SD-3000-WD
				High Static District Cooling Unit			
Cooling Capacity at DBT 76°F / WBT 63°F water at (5.5°C / 14.5°C) (42°F/58°F)	Total	BTU/hr	Med Speed	47818	49059	66283	83174
	Sensible	[BTU/hr]	Med Speed	37575	40189	51608	65616
Cooling Capacity at DBT 76°F / WBT 63°F water at (5.5°C / 14.5°C) (42°F/58°F)	Total	KW	Med Speed	14,01	14,37	19,42	24,37
	Sensible	KW	Med Speed	11,01	11,78	15,12	19,23
Air Flow at 0,2" wg (Low Static Unit)	-	[CFM]	Med Speed	-	-	-	-
Air Flow at 0,0" wg (Low Static Unit)	-	[CFM]	Med Speed	-	-	-	-
Air Flow at 0,4" wg (High Static Unit)	-	[CFM]	Med Speed	1214	1358	1627	2192
Air Flow at 0,2" wg (High Static Unit)	-	[CFM]	Med Speed	1645	1840	2205	2970
Sound Pressure Level according to ISO 11203 at 1 meter from the unit	-	[dB(A)]	High Speed	56	58	58	58
	-	[dB(A)]	Med Speed	54	57	57	57
	-	[dB(A)]	Low Speed	51	51	52	52
Coil	Type	{}	-	3/8" ,0.28mm Thick Copper tubes			
	Row / FPI	{}	-	4/15	4/15	4/15	4/15
	Nominal water flow rate	US GPM	Med Speed	6,75	7,5	9	12
Fan	Type	{}	-	Centrifugal , Forward Curve DIDW			
	Material	{}	-	GI			
	Quantity	[mm x mm]	-	2	2	2	3
Fan motor	Power Supply (Output)	[W]	-	400	500	500	750
	Power Input (Med)	[W]	-	545	545	840	1260
	RLA (Med)	[A]	-	2,37	2,37	3,65	5,48
	Type/Class/IP	{}	-	Class B/IP20	Class B/IP20	Class B/IP20	Class B/IP20
	Revolutions	[rpm]	H/M/L	1350/1250/1000	1350/1250/1000	1350/1250/1000	1350/1250/1000
Drive method	-	{}	-	Direct Drive			
Weight	Unit	[kg]	-	52	57	63	78
	Shipping	[kg]	-	57	62	67	83
Unit Dimensions	L	[mm]	-	1690	1840	1990	2240
	W	[mm]	-	630 +/-5			
	H	[mm]	-	335 +/-5			
Shipping Dimensions	L	[mm]	-	1705	1855	2005	2255
	W	[mm]	-	640 +/-5			
	H	[mm]	-	345 +/-5			
Connections	Inlet (MPT)	[inch]	-	1" NPS	1" NPS	1 1/4" NPS	1 1/4" NPS
	Outlet (MPT)	[inch]	-	1" NPS	1" NPS	1 1/4" NPS	1 1/4" NPS
	Drain Pipe Size	[inch]	-	3/4	3/4	3/4	3/4



Performance data of F-VS-SD-200-WD

Cooling Coil Air Inlet				Entering/Leaving Water Temperature							
DB/WB	Speed	Air Flow Rate		42/58 (°F); 5.5/14.4 (°C)							
		m³/h	CFM	Total Cooling		Sensible Cooling		Water Flow rate		Water Pressure drop	
				(X 1,000 Btu/Hr)	kW	(X 1,000 Btu/Hr)	kW	GPM	L/S	Ft.wg	kPa
76/63	HI	352	207	5218	1,53	4339	1,27	0,70	0,04	1,70	5,08
	MED	323	190	4815	1,41	3985	1,17	0,70	0,04	1,40	4,19
	LOW	226	133	3734	1,09	2893	0,85	0,50	0,03	1,20	3,59
80/63	HI	352	207	5927	1,74	5370	1,57	0,80	0,05	2,30	6,88
	MED	323	190	5471	1,60	4922	1,44	0,70	0,04	1,90	5,68
	LOW	226	133	4133	1,21	4250	1,25	0,60	0,04	1,30	3,89
85/63	HI	352	207	6838	2,00	6597	1,93	0,90	0,06	3,10	9,27
	MED	323	190	6304	1,85	6074	1,78	0,80	0,05	2,60	7,77
	LOW	226	133	4468	1,31	4250	1,25	0,60	0,04	1,50	4,49
76/65	HI	352	207	5691	1,67	4062	1,19	0,80	0,05	2,10	6,28
	MED	323	190	5258	1,54	3729	1,09	0,70	0,04	1,80	5,38
	LOW	226	133	4168	1,22	2761	0,81	0,60	0,04	1,40	4,19
80/65	HI	352	207	6222	1,82	5054	1,48	0,80	0,05	2,50	7,48
	MED	323	190	5750	1,68	4629	1,36	0,80	0,05	2,10	6,28
	LOW	226	133	4424	1,30	3365	0,99	0,60	0,04	1,40	4,19
85/65	HI	352	207	7006	2,05	6298	1,85	0,90	0,06	3,30	9,87
	MED	323	190	6463	1,89	5794	1,70	0,90	0,06	2,80	8,37
	LOW	226	133	4597	1,35	4042	1,18	0,60	0,04	1,30	3,89
76/67	HI	352	207	6516	1,91	3903	1,14	0,90	0,06	2,80	8,37
	MED	323	190	6026	1,77	3586	1,05	0,80	0,05	2,40	7,18
	LOW	226	133	4485	1,31	2538	0,74	0,60	0,04	1,30	3,89
80/67	HI	352	207	6883	2,02	4792	1,40	0,90	0,06	3,20	9,57
	MED	323	190	6364	1,86	4404	1,29	0,80	0,05	2,70	8,07
	LOW	226	133	4539	1,33	3063	0,90	0,60	0,04	1,30	3,89
85/67	HI	352	207	7396	2,17	5979	1,75	1,00	0,06	3,70	11,06
	MED	323	190	6841	2,00	5498	1,61	0,90	0,06	3,10	9,27
	LOW	226	133	4888	1,43	3836	1,12	0,70	0,04	1,50	4,49



Performance data of F-VS-SD-300-WD

Cooling Coil Air Inlet				Entering/Leaving Water Temperature							
DB/WB	Speed	Air Flow Rate		42/58 (°F); 5.5/14.4 (°C)							
		m³/h	CFM	Total Cooling		Sensible Cooling		Water Flow rate		Water Pressure drop	
				(X 1.000 Btu/Hr)	kW	(X 1.000 Btu/Hr)	kW	GPM	L/S	Ft.wg	kPa
76/63	HI	714	420	9397	2,75	8230	2,41	1,20	0,08	1,90	5,68
	MED	595	350	8076	2,37	7016	2,06	1,10	0,07	1,30	3,89
	LOW	410	241	6539	1,92	5293	1,55	0,90	0,06	1,00	2,99
80/63	HI	714	420	10917	3,20	10278	3,01	1,40	0,09	2,70	8,07
	MED	595	350	9393	2,75	8752	2,56	1,20	0,08	1,90	5,68
	LOW	410	241	6822	2,00	6231	1,83	0,90	0,06	1,00	2,99
85/63	HI	714	420	12868	3,77	12734	3,73	1,70	0,11	3,90	11,66
	MED	595	350	11038	3,23	10847	3,18	1,40	0,09	2,70	8,07
	LOW	410	241	7915	2,32	7673	2,25	1,00	0,06	1,30	3,89
76/65	HI	714	420	10064	2,95	7718	2,26	1,30	0,08	2,20	6,58
	MED	595	350	8735	2,56	6584	1,93	1,20	0,08	1,60	4,78
	LOW	410	241	6628	1,94	4770	1,40	0,90	0,06	1,10	3,29
80/65	HI	714	420	11310	3,31	9714	2,85	1,50	0,09	2,90	8,67
	MED	595	350	9769	2,86	8265	2,42	1,30	0,08	2,10	6,28
	LOW	410	241	7050	2,07	5828	1,71	0,90	0,06	1,00	2,99
85/65	HI	714	420	13027	3,82	12179	3,57	1,70	0,11	4,00	11,96
	MED	595	350	11201	3,28	10364	3,04	1,50	0,09	2,80	8,37
	LOW	410	241	8057	2,36	7314	2,14	1,10	0,07	1,40	4,19
76/67	HI	714	420	11418	3,35	7341	2,15	1,50	0,09	2,90	8,67
	MED	595	350	9925	2,91	6274	1,84	1,30	0,08	2,10	6,28
	LOW	410	241	7254	2,13	4446	1,30	1,00	0,06	1,10	3,29
80/67	HI	714	420	12354	3,62	9188	2,69	1,60	0,10	3,50	10,47
	MED	595	350	10704	3,14	7829	2,29	1,40	0,09	2,50	7,48
	LOW	410	241	7778	2,28	5526	1,62	1,00	0,06	1,20	3,59
85/67	HI	714	420	13597	3,98	11611	3,40	1,80	0,11	4,40	13,16
	MED	595	350	11719	3,43	9815	2,88	1,50	0,09	3,10	9,27
	LOW	410	241	8537	2,50	6973	2,04	1,10	0,07	1,60	4,78



Performance data of F-VS-SD-400-WD

Cooling Coil Air Inlet				Entering/Leaving Water Temperature							
DB/WB	Speed	Air Flow Rate		42/58 (°F); 5.5/14.4 (°C)							
		m³/h	CFM	Total Cooling		Sensible Cooling		Water Flow rate		Water Pressure drop	
				(X 1.000 Btu/Hr)	kW	(X 1.000 Btu/Hr)	kW	GPM	L/S	Ft.wg	kPa
76/63	HI	816	480	11438	3,35	9815	2,88	1,50	0,09	3,30	9,87
	MED	680	400	9853	2,89	8358	2,45	1,30	0,08	2,30	6,88
	LOW	469	276	7099	2,08	5904	1,73	0,90	0,06	1,10	3,29
80/63	HI	816	480	13103	3,84	12141	3,56	1,70	0,11	4,40	13,16
	MED	680	400	11262	3,30	10337	3,03	1,50	0,09	3,10	9,27
	LOW	469	276	8106	2,38	7309	2,14	1,10	0,07	1,50	4,49
85/63	HI	816	480	15740	4,61	15301	4,48	2,00	0,13	6,20	18,54
	MED	680	400	13075	3,83	12726	3,73	1,70	0,11	4,40	13,16
	LOW	469	276	9385	2,75	9012	2,64	1,20	0,08	2,10	6,28
76/65	HI	816	480	12427	3,64	9249	2,71	1,60	0,10	3,90	11,66
	MED	680	400	10767	3,15	7889	2,31	1,40	0,09	2,80	8,37
	LOW	469	276	7543	2,21	5461	1,60	1,00	0,06	1,40	4,19
80/65	HI	816	480	13819	4,05	11549	3,38	1,80	0,11	4,90	14,65
	MED	680	400	11840	3,47	9779	2,87	1,50	0,09	3,50	10,47
	LOW	469	276	8573	2,51	6914	2,03	1,10	0,07	1,70	5,08
85/65	HI	816	480	16195	4,75	14657	4,29	2,10	0,13	6,50	19,44
	MED	680	400	13342	3,91	12157	3,56	1,70	0,11	4,60	13,75
	LOW	469	276	9616	2,82	8590	2,52	1,30	0,08	2,20	6,58
76/67	HI	816	480	14998	4,39	9204	2,70	1,90	0,12	5,70	17,04
	MED	680	400	12339	3,62	7597	2,23	1,60	0,10	3,90	11,66
	LOW	469	276	8987	2,63	5390	1,58	1,20	0,08	1,90	5,68
80/67	HI	816	480	16214	4,75	11398	3,34	2,10	0,13	6,50	19,44
	MED	680	400	13079	3,83	9323	2,73	1,70	0,11	4,40	13,16
	LOW	469	276	9513	2,79	6604	1,93	1,20	0,08	2,10	6,28
85/67	HI	816	480	17594	5,16	14202	4,16	2,30	0,15	7,60	22,72
	MED	680	400	14433	4,23	11747	3,44	1,90	0,12	5,30	15,85
	LOW	469	276	10266	3,01	8220	2,41	1,30	0,08	2,50	7,48



Performance data of F-VS-SD-600-WD

Cooling Coil Air Inlet				Entering/Leaving Water Temperature							
DB/WB	Speed	Air Flow Rate		42/58 (°F); 5.5/14.4 (°C)							
		m³/h	CFM	Total Cooling		Sensible Cooling		Water Flow rate		Water Pressure drop	
				(X 1.000 Btu/Hr)	kW	(X 1.000 Btu/Hr)	kW	GPM	L/S	Ft.wg	kPa
76/63	HI	1223	720	20227	5,93	16227	4,75	2,60	0,16	11,80	35,28
	MED	1019	600	16962	4,97	13582	3,98	2,20	0,14	8,60	25,71
	LOW	703	414	11638	3,41	9352	2,74	1,50	0,09	4,10	12,26
80/63	HI	1223	720	22384	6,56	19703	5,77	2,90	0,18	14,10	42,16
	MED	1019	600	18921	5,54	16595	4,86	2,50	0,16	10,40	31,10
	LOW	703	414	12908	3,78	11385	3,34	1,70	0,11	5,20	15,55
85/63	HI	1223	720	25160	7,37	23930	7,01	3,20	0,20	17,40	52,03
	MED	1019	600	21410	6,27	20247	5,93	2,80	0,18	13,00	38,87
	LOW	703	414	14878	4,36	14045	4,12	1,90	0,12	6,80	20,33
76/65	HI	1223	720	23363	6,85	15919	4,66	3,00	0,19	15,20	45,45
	MED	1019	600	19317	5,66	13345	3,91	2,50	0,16	11,20	33,49
	LOW	703	414	12457	3,65	8669	2,54	1,70	0,11	5,30	15,85
80/65	HI	1223	720	24523	7,19	19028	5,58	3,20	0,20	16,60	49,63
	MED	1019	600	20806	6,10	16051	4,70	2,70	0,17	12,30	36,78
	LOW	703	414	14065	4,12	10943	3,21	1,80	0,11	6,20	18,54
85/65	HI	1223	720	26215	7,68	22939	6,72	3,40	0,21	18,70	55,91
	MED	1019	600	22474	6,58	19469	5,70	2,90	0,18	14,10	42,16
	LOW	703	414	15628	4,58	13502	3,96	2,00	0,13	7,50	22,43
76/67	HI	1223	720	27063	7,93	15723	4,61	3,50	0,22	19,70	58,90
	MED	1019	600	23478	6,88	13489	3,95	3,00	0,19	15,30	45,75
	LOW	703	414	15949	4,67	9156	2,68	2,10	0,13	7,70	23,02
80/67	HI	1223	720	27650	8,10	18515	5,42	3,60	0,23	20,50	61,30
	MED	1019	600	24062	7,05	15879	4,65	3,10	0,20	16,00	47,84
	LOW	703	414	16547	4,85	10905	3,20	2,10	0,13	8,20	24,52
85/67	HI	1223	720	28364	8,31	22171	6,50	3,60	0,23	21,40	63,99
	MED	1019	600	24668	7,23	18970	5,56	3,20	0,20	16,70	49,93
	LOW	703	414	17265	5,06	13190	3,86	2,20	0,14	8,90	26,61



Performance data of F-VS-SD-800-WD

		Cooling Coil Air Inlet		Entering/Leaving Water Temperature								
		DB/WB	Speed	Air Flow Rate		42/58 (°F); 5.5/14.4 (°C)						
				CFM	m³/h	Total Cooling		Sensible Cooling		Water Flow rate		Water Pressure drop
				(X 1.000 Btu/Hr)	kW	(X 1.000 Btu/Hr)	kW	GPM	L/S	Ft.wg	kPa	
F-VS-SD-800-WD	76/63	HI	1631	960	26275	7,70	21018	6,16	3,40	0,21	10,30	30,80
		MED	1359	800	21911	6,42	17590	5,15	2,90	0,18	7,50	22,43
		LOW	937	552	15085	4,42	12150	3,56	2,00	0,13	3,60	10,76
	80/63	HI	1631	960	29280	8,58	25690	7,53	3,80	0,24	12,50	37,38
		MED	1359	800	24755	7,25	21675	6,35	3,20	0,20	9,30	27,81
		LOW	937	552	16914	4,96	14923	4,37	2,20	0,14	4,70	14,05
	85/63	HI	1631	960	33137	9,71	31393	9,20	4,30	0,27	15,60	46,64
		MED	1359	800	28224	8,27	26624	7,80	3,70	0,23	11,70	34,98
		LOW	937	552	19624	5,75	18516	5,43	2,60	0,16	6,20	18,54
	76/65	HI	1631	960	30518	8,94	20751	6,08	4,00	0,25	13,50	40,37
		MED	1359	800	25119	7,36	17456	5,11	3,30	0,21	10,00	29,90
		LOW	937	552	16382	4,80	11399	3,34	2,20	0,14	4,60	13,75
	80/65	HI	1631	960	32138	9,42	24878	7,29	4,20	0,26	14,80	44,25
		MED	1359	800	27325	8,01	21042	6,17	3,50	0,22	11,10	33,19
		LOW	937	552	18372	5,38	14323	4,20	2,40	0,15	5,50	16,45
	85/65	HI	1631	960	34530	10,12	30089	8,82	4,50	0,28	16,70	49,93
		MED	1359	800	29672	8,69	25604	7,50	3,80	0,24	12,80	38,27
		LOW	937	552	20649	6,05	17806	5,22	2,70	0,17	6,80	20,33
	76/67	HI	1631	960	35633	10,44	20625	6,04	4,60	0,29	17,70	52,92
		MED	1359	800	30991	9,08	17744	5,20	4,00	0,25	13,80	41,26
		LOW	937	552	21041	6,17	12046	3,53	2,70	0,17	7,00	20,93
	80/67	HI	1631	960	36394	10,66	24289	7,12	4,70	0,30	18,40	55,02
		MED	1359	800	31758	9,31	20897	6,12	4,10	0,26	14,40	43,06
		LOW	937	552	21956	6,43	14421	4,23	2,90	0,18	7,50	22,43
85/67	HI	1631	960	37452	10,97	29144	8,54	4,80	0,30	19,40	58,01	
	MED	1359	800	32664	9,57	25013	7,33	4,20	0,26	15,20	45,45	
	LOW	937	552	22977	6,73	17482	5,12	3,00	0,19	8,20	24,52	



Performance data of F-VS-SD-1000-WD

Cooling Coil Air Inlet				Entering/Leaving Water Temperature							
DB/WB	Speed	Air Flow Rate		42/58 (°F); 5.5/14.4 (°C)							
		m³/h	CFM	Total Cooling		Sensible Cooling		Water Flow rate		Water Pressure drop	
				(X 1.000 Btu/Hr)	kW	(X 1.000 Btu/Hr)	kW	GPM	L/S	Ft.wg	kPa
76/63	HI	2039	1200	32480	9,52	26165	7,67	4,20	0,26	9,20	27,51
	MED	1699	1000	26826	7,86	21770	6,38	3,50	0,22	6,60	19,73
	LOW	1172	690	18532	5,43	15085	4,42	2,40	0,15	3,10	9,27
80/63	HI	2039	1200	36574	10,72	32159	9,42	4,70	0,30	11,40	34,09
	MED	1699	1000	30899	9,05	27140	7,95	4,00	0,25	8,50	25,42
	LOW	1172	690	21085	6,18	18687	5,48	2,80	0,18	4,20	12,56
85/63	HI	2039	1200	41739	12,23	39506	11,58	5,40	0,34	14,40	43,06
	MED	1699	1000	35616	10,44	33559	9,83	4,60	0,29	10,90	32,59
	LOW	1172	690	21553	6,32	21553	6,32	2,80	0,18	4,40	13,16
76/65	HI	2039	1200	37379	10,95	25729	7,54	4,80	0,30	11,80	35,28
	MED	1699	1000	30887	9,05	21617	6,33	4,10	0,26	8,70	26,01
	LOW	1172	690	20171	5,91	14164	4,15	2,70	0,17	4,00	11,96
80/65	HI	2039	1200	39961	11,71	31120	9,12	5,20	0,33	13,30	39,77
	MED	1699	1000	33931	9,94	26327	7,71	4,40	0,28	10,00	29,90
	LOW	1172	690	22590	6,62	17854	5,23	3,00	0,19	4,90	14,65
85/65	HI	2039	1200	43357	12,70	37801	11,08	5,60	0,35	15,40	46,05
	MED	1699	1000	37319	10,93	32245	9,45	4,80	0,30	11,80	35,28
	LOW	1172	690	25997	7,62	22483	6,59	3,40	0,21	6,20	18,54
76/67	HI	2039	1200	43832	12,84	25628	7,51	5,60	0,35	15,70	46,94
	MED	1699	1000	37973	11,13	22002	6,45	4,90	0,31	12,20	36,48
	LOW	1172	690	25326	7,42	14787	4,33	3,30	0,21	5,90	17,64
80/67	HI	2039	1200	45005	13,19	30320	8,88	5,80	0,37	16,40	49,04
	MED	1699	1000	39287	11,51	26120	7,65	5,10	0,32	13,00	38,87
	LOW	1172	690	26961	7,90	17995	5,27	3,50	0,22	6,60	19,73
85/67	HI	2039	1200	46690	13,68	36558	10,71	6,00	0,38	17,60	52,62
	MED	1699	1000	40582	11,89	31476	9,22	5,30	0,33	13,90	41,56
	LOW	1172	690	28745	8,42	22060	6,46	3,70	0,23	7,40	22,13



Performance data of F-VS-SD-1200-WD

Cooling Coil Air Inlet		Entering/Leaving Water Temperature											
		DB/WB	Speed	Air Flow Rate		42/58 (°F); 5.5/14.4 (°C)							
						Total Cooling		Sensible Cooling		Water Flow rate		Water Pressure drop	
m ³ /h	CFM	(X 1.000 Btu/Hr)	kW	(X 1.000 Btu/Hr)	kW	GPM	L/S	Ft.wg	kPa				
76/63	HI	2283	1344	35077	10,28	28654	8,40	4,50	0,28	7,20	21,53		
	MED	1903	1120	28055	8,22	23389	6,85	3,70	0,23	4,80	14,35		
	LOW	1312	772	20149	5,90	16606	4,87	2,70	0,17	2,30	6,88		
80/63	HI	2283	1344	40475	11,86	35776	10,48	5,20	0,33	9,20	27,51		
	MED	1903	1120	33864	9,92	30012	8,79	4,40	0,28	6,70	20,03		
	LOW	1312	772	23235	6,81	20730	6,07	3,10	0,20	3,20	9,57		
85/63	HI	2283	1344	46746	13,70	44289	12,98	6,00	0,38	11,90	35,58		
	MED	1903	1120	39664	11,62	37486	10,98	5,10	0,32	8,90	26,61		
	LOW	1312	772	23688	6,94	23688	6,94	3,10	0,20	3,40	10,17		
76/65	HI	2283	1344	40655	11,91	28276	8,28	5,30	0,33	9,30	27,81		
	MED	1903	1120	32253	9,45	23415	6,86	4,30	0,27	6,50	19,44		
	LOW	1312	772	22299	6,53	15856	4,65	2,90	0,18	2,90	8,67		
80/65	HI	2283	1344	44164	12,94	34573	10,13	5,70	0,36	10,80	32,29		
	MED	1903	1120	37127	10,88	29098	8,53	4,80	0,30	7,90	23,62		
	LOW	1312	772	24677	7,23	19700	5,77	3,20	0,20	3,70	11,06		
85/65	HI	2283	1344	48682	14,26	42443	12,44	6,30	0,40	12,80	38,27		
	MED	1903	1120	41362	12,12	35928	10,53	5,30	0,33	9,60	28,70		
	LOW	1312	772	28201	8,26	24715	7,24	3,70	0,23	4,90	14,65		
76/67	HI	2283	1344	48989	14,35	28669	8,40	6,30	0,40	13,00	38,87		
	MED	1903	1120	41352	12,12	24155	7,08	5,30	0,33	9,60	28,70		
	LOW	1312	772	25819	7,56	15500	4,54	3,40	0,21	4,10	12,26		
80/67	HI	2283	1344	50398	14,77	33988	9,96	6,50	0,41	13,60	40,66		
	MED	1903	1120	43033	12,61	28859	8,46	5,60	0,35	10,30	30,80		
	LOW	1312	772	27998	8,20	19205	5,63	3,70	0,23	4,80	14,35		
85/67	HI	2283	1344	52477	15,38	41053	12,03	6,80	0,43	14,70	43,95		
	MED	1903	1120	45268	13,26	35058	10,27	5,80	0,37	11,20	33,49		
	LOW	1312	772	31142	9,12	24224	7,10	4,00	0,25	5,80	17,34		



Performance data of F-VS-SD-600-WD [HS]

Cooling Coil Air Inlet				Entering/Leaving Water Temperature							
DB/WB	Speed	Air Flow Rate		42/58 (°F); 5.5/14.4 (°C)							
		m³/h	CFM	Total Cooling		Sensible Cooling		Water Flow rate		Water Pressure drop	
				(X 1.000 Btu/Hr)	kW	(X 1.000 Btu/Hr)	kW	GPM	L/S	Ft.wg	kPa
76/63	HI	1014	597	18145	5,32	14203	4,16	2,40	0,15	10,20	30,50
	MED	816	480	14109	4,13	11176	3,27	1,80	0,11	6,50	19,44
	LOW	649	382	11298	3,31	8882	2,60	1,50	0,09	4,10	12,26
80/63	HI	1014	597	19990	5,86	17212	5,04	2,60	0,16	12,10	36,18
	MED	816	480	16143	4,73	14056	4,12	2,10	0,13	8,30	24,82
	LOW	649	382	12458	3,65	10795	3,16	1,60	0,10	5,10	15,25
85/63	HI	1014	597	22378	6,56	20891	6,12	2,90	0,18	14,80	44,25
	MED	816	480	18041	5,29	16809	4,93	2,30	0,15	10,10	30,20
	LOW	649	382	14159	4,15	13244	3,88	1,90	0,12	6,60	19,73
76/65	HI	1014	597	20769	6,09	13886	4,07	2,70	0,17	12,90	38,57
	MED	816	480	16304	4,78	10955	3,21	2,10	0,13	8,40	25,12
	LOW	649	382	12497	3,66	8463	2,48	1,60	0,10	5,10	15,25
80/65	HI	1014	597	21951	6,43	16628	4,87	2,80	0,18	14,30	42,76
	MED	816	480	17700	5,19	13581	3,98	2,30	0,15	9,80	29,30
	LOW	649	382	13584	3,98	10539	3,09	1,80	0,11	6,10	18,24
85/65	HI	1014	597	23616	6,92	20078	5,88	3,10	0,20	16,20	48,44
	MED	816	480	19052	5,58	16148	4,73	2,50	0,16	11,10	33,19
	LOW	649	382	14914	4,37	12698	3,72	2,00	0,13	7,20	21,53
76/67	HI	1014	597	24545	7,19	13954	4,09	3,20	0,20	17,40	52,03
	MED	816	480	19684	5,77	11150	3,27	2,60	0,16	11,80	35,28
	LOW	649	382	14987	4,39	8530	2,50	2,00	0,13	7,30	21,83
80/67	HI	1014	597	25076	7,35	16349	4,79	3,20	0,20	18,10	54,12
	MED	816	480	20123	5,90	13255	3,88	2,60	0,16	12,20	36,48
	LOW	649	382	15700	4,60	10226	3,00	2,10	0,13	7,90	23,62
85/67	HI	1014	597	25701	7,53	19481	5,71	3,30	0,21	18,90	56,51
	MED	816	480	20952	6,14	15757	4,62	2,70	0,17	13,10	39,17
	LOW	649	382	16479	4,83	12406	3,63	2,10	0,13	8,60	25,71



Performance data of F-VS-SD-800-WD (HS)

Cooling Coil Air Inlet				Entering/Leaving Water Temperature							
DB/WB	Speed	Air Flow Rate		42/58 (°F); 5.5/14.4 (°C)							
		m³/h	CFM	Total Cooling		Sensible Cooling		Water Flow rate		Water Pressure drop	
				(X 1.000 Btu/Hr)	kW	(X 1.000 Btu/Hr)	kW	GPM	L/S	Ft.wg	kPa
76/63	HI	1359	800	22897	6,71	18251	5,35	3,00	0,19	7,90	23,62
	MED	1089	641	17525	5,13	14230	4,17	2,30	0,15	4,90	14,65
	LOW	870	512	14415	4,22	11512	3,37	1,90	0,12	3,20	9,57
80/63	HI	1359	800	25768	7,55	22416	6,57	3,40	0,21	9,70	29,00
	MED	1089	641	20370	5,97	17823	5,22	2,70	0,17	6,40	19,14
	LOW	870	512	16100	4,72	14113	4,14	2,10	0,13	4,10	12,26
85/63	HI	1359	800	29278	8,58	27456	8,04	3,80	0,24	12,20	36,48
	MED	1089	641	23518	6,89	22039	6,46	3,10	0,20	8,20	24,52
	LOW	870	512	18487	5,42	17399	5,10	2,40	0,15	5,40	16,15
76/65	HI	1359	800	26492	7,76	17924	5,25	3,40	0,21	10,20	30,50
	MED	1089	641	20534	6,02	14020	4,11	2,70	0,17	6,50	19,44
	LOW	870	512	15983	4,68	10960	3,21	2,10	0,13	4,00	11,96
80/65	HI	1359	800	28353	8,31	21694	6,36	3,70	0,23	11,50	34,39
	MED	1089	641	22486	6,59	17254	5,06	2,90	0,18	7,60	22,72
	LOW	870	512	17237	5,05	13411	3,93	2,30	0,15	4,70	14,05
85/65	HI	1359	800	30787	9,02	26384	7,73	4,00	0,25	13,30	39,77
	MED	1089	641	24759	7,25	21172	6,20	3,20	0,20	9,00	26,91
	LOW	870	512	19380	5,68	16690	4,89	2,50	0,16	5,90	17,64
76/67	HI	1359	800	31668	9,28	18103	5,30	4,10	0,26	13,90	41,56
	MED	1089	641	25222	7,39	14379	4,21	3,30	0,21	9,30	27,81
	LOW	870	512	18872	5,53	10874	3,19	2,50	0,16	5,60	16,74
80/67	HI	1359	800	32621	9,56	21399	6,27	4,20	0,26	14,70	43,95
	MED	1089	641	26186	7,67	17118	5,02	3,40	0,21	10,00	29,90
	LOW	870	512	20202	5,92	13301	3,90	2,70	0,17	6,30	18,84
85/67	HI	1359	800	33639	9,86	25644	7,51	4,40	0,28	15,50	46,35
	MED	1089	641	27362	8,02	20699	6,06	3,60	0,23	10,80	32,29
	LOW	870	512	21510	6,30	16327	4,78	2,80	0,18	7,10	21,23



Performance data of F-VS-SD-1000-WD (HS)

Cooling Coil Air Inlet				Entering/Leaving Water Temperature							
DB/WB	Speed	Air Flow Rate		42/58 (°F); 5.5/14.4 (°C)							
		m³/h	CFM	Total Cooling		Sensible Cooling		Water Flow rate		Water Pressure drop	
				(X 1.000 Btu/Hr)	kW	(X 1.000 Btu/Hr)	kW	GPM	L/S	Ft.wg	kPa
76/63	HI	1699	1000	28463	8,34	22761	6,67	3,70	0,23	7,20	21,53
	MED	1359	800	21626	6,34	17637	5,17	2,90	0,18	4,40	13,16
	LOW	1084	638	17715	5,19	14239	4,17	2,40	0,15	2,80	8,37
80/63	HI	1699	1000	32381	9,49	28137	8,24	4,20	0,26	9,00	26,91
	MED	1359	800	25438	7,45	22272	6,53	3,30	0,21	5,90	17,64
	LOW	1084	638	19991	5,86	17562	5,15	2,70	0,17	3,70	11,06
85/63	HI	1699	1000	36955	10,83	34584	10,13	4,80	0,30	11,30	33,79
	MED	1359	800	29618	8,68	27695	8,11	3,90	0,25	7,70	23,02
	LOW	1084	638	23149	6,78	21775	6,38	3,10	0,20	5,00	14,95
76/65	HI	1699	1000	32877	9,63	22368	6,55	4,30	0,27	9,20	27,51
	MED	1359	800	25077	7,35	17309	5,07	3,30	0,21	5,70	17,04
	LOW	1084	638	19529	5,72	13526	3,96	2,60	0,16	3,50	10,47
80/65	HI	1699	1000	35428	10,38	27199	7,97	4,60	0,29	10,50	31,40
	MED	1359	800	27947	8,19	21552	6,31	3,70	0,23	6,90	20,63
	LOW	1084	638	21290	6,24	16671	4,88	2,80	0,18	4,30	12,86
85/65	HI	1699	1000	38808	11,37	33221	9,73	5,00	0,32	12,40	37,08
	MED	1359	800	31130	9,12	26603	7,79	4,10	0,26	8,40	25,12
	LOW	1084	638	24226	7,10	20878	6,12	3,20	0,20	5,40	16,15
76/67	HI	1699	1000	39338	11,53	22587	6,62	5,10	0,32	12,70	37,97
	MED	1359	800	31098	9,11	17834	5,23	4,10	0,26	8,40	25,12
	LOW	1084	638	22651	6,64	13228	3,88	3,00	0,19	4,80	14,35
80/67	HI	1699	1000	40672	11,92	26803	7,85	5,30	0,33	13,40	40,07
	MED	1359	800	32527	9,53	21379	6,26	4,20	0,26	9,10	27,21
	LOW	1084	638	24770	7,26	16465	4,82	3,30	0,21	5,60	16,74
85/67	HI	1699	1000	42169	12,36	32242	9,45	5,50	0,35	14,30	42,76
	MED	1359	800	34241	10,03	25989	7,61	4,50	0,28	9,90	29,60
	LOW	1084	638	26768	7,84	20418	5,98	3,50	0,22	6,40	19,14



Performance data of F-VS-SD-1200-WD [HS]

Cooling Coil Air Inlet				Entering/Leaving Water Temperature							
DB/WB	Speed	Air Flow Rate		42/58 (°F); 5.5/14.4 (°C)							
		m³/h	CFM	Total Cooling		Sensible Cooling		Water Flow rate		Water Pressure drop	
				(X 1.000 Btu/Hr)	kW	(X 1.000 Btu/Hr)	kW	GPM	L/S	Ft.wg	kPa
76/63	HI	2034	1197	32467	9,51	26334	7,72	4,30	0,27	6,20	18,54
	MED	1784	1050	27144	7,95	22462	6,58	3,60	0,23	4,50	13,46
	LOW	1300	765	20319	5,95	16554	4,85	2,70	0,17	2,40	7,18
80/63	HI	2034	1197	37461	10,98	32866	9,63	4,90	0,31	7,90	23,62
	MED	1784	1050	32515	9,53	28652	8,40	4,30	0,27	6,20	18,54
	LOW	1300	765	23153	6,78	20545	6,02	3,10	0,20	3,20	9,57
85/63	HI	2034	1197	43127	12,64	40597	11,89	5,60	0,35	10,10	30,20
	MED	1784	1050	37850	11,09	35623	10,44	4,90	0,31	8,00	23,92
	LOW	1300	765	24099	7,06	24099	7,06	3,20	0,20	3,50	10,47
76/65	HI	2034	1197	37706	11,05	25860	7,58	4,90	0,31	8,00	23,92
	MED	1784	1050	32071	9,40	22214	6,51	4,20	0,26	6,00	17,94
	LOW	1300	765	22353	6,55	15634	4,58	3,00	0,19	3,00	8,97
80/65	HI	2034	1197	40974	12,01	31682	9,28	5,30	0,33	9,20	27,51
	MED	1784	1050	35588	10,43	27613	8,09	4,70	0,30	7,20	21,53
	LOW	1300	765	24521	7,18	19399	5,68	3,30	0,21	3,60	10,76
85/65	HI	2034	1197	45104	13,22	38885	11,39	5,90	0,37	11,00	32,89
	MED	1784	1050	39598	11,60	34120	10,00	5,20	0,33	8,70	26,01
	LOW	1300	765	27836	8,16	24312	7,12	3,70	0,23	4,70	14,05
76/67	HI	2034	1197	45518	13,34	26188	7,67	5,90	0,37	11,20	33,49
	MED	1784	1050	39554	11,59	22757	6,67	5,20	0,33	5,20	15,55
	LOW	1300	765	25652	7,52	15109	4,43	3,40	0,21	4,00	11,96
80/67	HI	2034	1197	47229	13,84	31220	9,15	6,10	0,38	11,90	35,58
	MED	1784	1050	41362	12,12	27315	8,00	5,40	0,34	9,40	28,11
	LOW	1300	765	27989	8,20	18856	5,52	3,70	0,23	4,70	14,05
85/67	HI	2034	1197	49259	14,43	37776	11,07	6,40	0,40	12,80	38,27
	MED	1784	1050	43458	12,73	33223	9,73	5,70	0,36	10,30	30,80
	LOW	1300	765	30673	8,99	23666	6,93	4,00	0,25	5,60	16,74



Performance data of F-VS-SD-1400-WD

Cooling Coil Air Inlet				Entering/Leaving Water Temperature							
DB/WB	Speed	Air Flow Rate		42/58 (°F); 5.5/14.4 (°C)							
		m³/h	CFM	Total Cooling		Sensible Cooling		Water Flow rate		Water Pressure drop	
				(X 1.000 Btu/Hr)	kW	(X 1.000 Btu/Hr)	kW	GPM	L/S	Ft.wg	kPa
76/63	HI	2372	1396	39056	11,44	31468	9,22	5,10	0,32	6,30	18,84
	MED	2217	1305	35882	10,51	29111	8,53	4,70	0,30	5,40	16,15
	LOW	1519	894	24203	7,09	19701	5,77	3,20	0,20	2,40	7,18
80/63	HI	2372	1396	44869	13,15	39125	11,46	5,80	0,37	8,00	23,92
	MED	2217	1305	41827	12,26	36521	10,70	5,50	0,35	7,10	21,23
	LOW	1519	894	27621	8,09	24435	7,16	3,70	0,23	3,20	9,57
85/63	HI	2372	1396	51508	15,09	48208	14,12	6,70	0,42	10,30	30,80
	MED	2217	1305	48216	14,13	45113	13,22	6,30	0,40	9,10	27,21
	LOW	1519	894	28382	8,32	28382	8,32	3,80	0,24	3,50	10,47
76/65	HI	2372	1396	45225	13,25	30906	9,06	5,90	0,37	8,20	24,52
	MED	2217	1305	41679	12,21	28622	8,39	5,40	0,34	7,10	21,23
	LOW	1519	894	26596	7,79	18653	5,47	3,50	0,22	3,00	8,97
80/65	HI	2372	1396	48991	14,35	37727	11,05	6,40	0,40	9,40	28,11
	MED	2217	1305	45668	13,38	35203	10,31	5,90	0,37	8,30	24,82
	LOW	1519	894	29165	8,55	23087	6,76	3,90	0,25	3,70	11,06
85/65	HI	2372	1396	53938	15,80	46249	13,55	7,00	0,44	11,20	33,49
	MED	2217	1305	50511	14,80	43284	12,68	6,60	0,42	9,90	29,60
	LOW	1519	894	33426	9,79	29026	8,50	4,40	0,28	4,80	14,35
76/67	HI	2372	1396	54322	15,92	31269	9,16	7,00	0,44	11,30	33,79
	MED	2217	1305	50746	14,87	29189	8,55	6,60	0,42	10,00	29,90
	LOW	1519	894	30436	8,92	18026	5,28	4,00	0,25	4,00	11,96
80/67	HI	2372	1396	56369	16,52	37199	10,90	7,30	0,46	12,00	35,88
	MED	2217	1305	52619	15,42	35544	10,41	6,80	0,43	10,70	31,99
	LOW	1519	894	33661	9,86	22636	6,63	4,40	0,28	4,90	14,65
85/67	HI	2372	1396	58709	17,20	44888	13,15	7,60	0,48	13,00	38,87
	MED	2217	1305	55320	16,21	42156	12,35	7,20	0,45	11,70	34,98
	LOW	1519	894	36899	10,81	28338	8,30	4,80	0,30	5,70	17,04



Performance data of F-VS-SD-1600-WD

Cooling Coil Air Inlet		Entering/Leaving Water Temperature											
		DB/WB	Speed	Air Flow Rate		42/58 (°F); 5.5/14.4 (°C)							
						Total Cooling		Sensible Cooling		Water Flow rate		Water Pressure drop	
m³/h	CFM	(X 1.000 Btu/Hr)	kW	(X 1.000 Btu/Hr)	kW	GPM	L/S	Ft.wg	kPa				
76/63	HI	2712	1596	46939	13,75	36935	10,82	6,10	0,38	9,20	27,51		
	MED	2532	1490	43596	12,77	34374	10,07	5,70	0,36	8,00	23,92		
	LOW	1740	1024	28073	8,23	22669	6,64	3,70	0,23	3,60	10,76		
80/63	HI	2712	1596	52358	15,34	45134	13,22	6,80	0,43	11,10	33,19		
	MED	2532	1490	48944	14,34	42177	12,36	6,40	0,40	9,80	29,30		
	LOW	1740	1024	32188	9,43	28216	8,27	4,30	0,27	4,70	14,05		
85/63	HI	2712	1596	59019	17,29	55106	16,15	7,70	0,49	13,70	40,96		
	MED	2532	1490	55526	16,27	51713	15,15	7,20	0,45	12,30	36,78		
	LOW	1740	1024	38038	11,15	35431	10,38	5,00	0,32	6,30	18,84		
76/65	HI	2712	1596	53847	15,78	36188	10,60	7,00	0,44	11,70	34,98		
	MED	2532	1490	50246	14,72	50246	14,72	6,60	0,42	10,30	30,80		
	LOW	1740	1024	30937	9,06	21513	6,30	4,10	0,26	4,40	13,16		
80/65	HI	2712	1596	57289	16,79	43602	12,78	7,40	0,47	13,00	38,87		
	MED	2532	1490	53716	15,74	40808	11,96	7,00	0,44	11,60	34,68		
	LOW	1740	1024	35471	10,39	27295	8,00	4,70	0,30	5,60	16,74		
85/65	HI	2712	1596	61536	18,03	52706	15,44	8,00	0,50	14,80	44,25		
	MED	2532	1490	58161	17,04	58161	17,04	7,60	0,48	13,30	39,77		
	LOW	1740	1024	39964	11,71	33999	9,96	5,30	0,33	6,90	20,63		
76/67	HI	2712	1596	62232	18,23	35733	10,47	8,10	0,51	15,00	44,85		
	MED	2532	1490	59144	17,33	33777	9,90	7,70	0,49	13,80	41,26		
	LOW	1740	1024	39582	11,60	22565	6,61	5,20	0,33	6,80	20,33		
80/67	HI	2712	1596	63983	18,75	42244	12,38	8,30	0,52	15,80	47,24		
	MED	2532	1490	60687	17,78	39836	11,67	7,90	0,50	14,40	43,06		
	LOW	1740	1024	41780	12,24	27250	7,98	5,50	0,35	7,40	22,13		
85/67	HI	2712	1596	66405	19,46	50897	14,91	8,60	0,54	16,90	50,53		
	MED	2532	1490	62907	18,43	47921	14,04	8,20	0,52	15,30	45,75		
	LOW	1740	1024	44144	12,93	33226	9,74	5,80	0,37	8,20	24,52		



Performance data of F-VS-SD-1800-WD

Cooling Coil Air Inlet				Entering/Leaving Water Temperature							
DB/WB	Speed	Air Flow Rate		42/58 (°F); 5.5/14.4 (°C)							
		m³/h	CFM	Total Cooling		Sensible Cooling		Water Flow rate		Water Pressure drop	
				(X 1.000 Btu/Hr)	kW	(X 1.000 Btu/Hr)	kW	GPM	L/S	Ft.wg	kPa
76/63	HI	3051	1796	52798	15,47	41325	12,11	6,90	0,44	8,90	26,61
	MED	2795	1645	47818	14,01	37575	11,01	6,30	0,40	7,50	22,43
	LOW	2379	1400	38937	11,41	31101	9,11	5,20	0,33	5,30	15,85
80/63	HI	3051	1796	58711	17,20	50496	14,80	7,70	0,49	10,80	32,29
	MED	2795	1645	53726	15,74	46220	13,54	7,00	0,44	9,20	27,51
	LOW	2379	1400	45233	13,25	39050	11,44	6,00	0,38	6,80	20,33
85/63	HI	3051	1796	66213	19,40	61747	18,09	8,60	0,54	13,30	39,77
	MED	2795	1645	61000	17,87	56765	16,63	8,00	0,50	11,50	34,39
	LOW	2379	1400	51954	15,22	48307	14,15	6,80	0,43	8,70	26,01
76/65	HI	3051	1796	60866	17,83	40558	11,88	8,00	0,50	11,50	34,39
	MED	2795	1645	55546	16,27	37016	10,85	7,30	0,46	9,80	29,30
	LOW	2379	1400	45856	13,44	30801	9,02	6,00	0,38	7,00	20,93
80/65	HI	3051	1796	64521	18,90	48794	14,30	8,40	0,53	12,70	37,97
	MED	2795	1645	59169	17,34	44707	13,10	7,70	0,49	10,90	32,59
	LOW	2379	1400	50442	14,78	38664	11,33	6,60	0,42	8,30	24,82
85/65	HI	3051	1796	69126	20,25	58938	17,27	9,00	0,57	14,40	43,06
	MED	2795	1645	64121	18,79	54365	15,93	8,40	0,53	12,60	37,67
	LOW	2379	1400	54684	16,02	46277	13,56	7,20	0,45	9,50	28,41
76/67	HI	3051	1796	70506	20,66	40139	11,76	9,20	0,58	14,80	44,25
	MED	2795	1645	65896	19,31	37268	10,92	8,60	0,54	13,20	39,47
	LOW	2379	1400	55992	16,41	31554	9,25	7,30	0,46	9,90	29,60
80/67	HI	3051	1796	72323	21,19	47378	13,88	9,40	0,59	15,50	46,35
	MED	2795	1645	67429	19,76	67429	19,76	8,80	0,56	13,70	40,96
	LOW	2379	1400	57674	16,90	38236	11,20	7,50	0,47	10,40	31,10
85/67	HI	3051	1796	74808	21,92	56972	16,69	9,70	0,61	16,50	49,34
	MED	2795	1645	69698	20,42	52685	15,44	9,10	0,57	14,50	43,36
	LOW	2379	1400	60409	17,70	45244	13,26	7,90	0,50	11,30	33,79



Performance data of F-VS-SD-2000-WD

Cooling Coil Air Inlet				Entering/Leaving Water Temperature							
DB/WB	Speed	Air Flow Rate		42/58 (°F); 5.5/14.4 (°C)							
		m³/h	CFM	Total Cooling		Sensible Cooling		Water Flow rate		Water Pressure drop	
				(X 1.000 Btu/Hr)	kW	(X 1.000 Btu/Hr)	kW	GPM	L/S	Ft.wg	kPa
76/63	HI	3398	2000	55171	16,17	44609	13,07	7,20	0,45	5,80	17,34
	MED	3126	1840	49059	14,37	40189	11,78	6,50	0,41	4,70	14,05
	LOW	2435	1433	37391	10,96	30834	9,03	5,00	0,32	2,70	8,07
80/63	HI	3398	2000	64264	18,83	55937	16,39	8,40	0,53	7,60	22,72
	MED	3126	1840	58726	17,21	51244	15,01	7,70	0,49	6,50	19,44
	LOW	2435	1433	43282	12,68	38602	11,31	5,70	0,36	3,80	11,36
85/63	HI	3398	2000	74170	21,73	69238	20,29	9,60	0,61	9,80	29,30
	MED	3126	1840	68284	20,01	63738	18,68	8,90	0,56	8,40	25,12
	LOW	2435	1433	43965	12,88	43965	12,88	5,80	0,37	3,90	11,66
76/65	HI	3398	2000	63416	18,58	43618	12,78	8,30	0,52	7,40	22,13
	MED	3126	1840	57555	16,86	39747	11,65	7,50	0,47	6,20	18,54
	LOW	2435	1433	40732	11,93	29072	8,52	5,40	0,34	3,30	9,87
80/65	HI	3398	2000	69967	20,50	53906	15,79	9,10	0,57	8,80	26,31
	MED	3126	1840	63889	18,72	49361	14,46	8,30	0,52	7,50	22,43
	LOW	2435	1433	46306	13,57	36772	10,77	6,10	0,38	4,30	12,86
85/65	HI	3398	2000	77478	22,70	66338	19,44	10,10	0,64	10,60	31,69
	MED	3126	1840	71332	20,90	61060	17,89	9,30	0,59	9,10	27,21
	LOW	2435	1433	54675	16,02	47048	13,79	7,20	0,45	5,70	17,04
76/67	HI	3398	2000	77121	22,60	44432	13,02	10,00	0,63	10,50	31,40
	MED	3126	1840	70554	20,67	40657	11,91	9,20	0,58	8,90	26,61
	LOW	2435	1433	45258	13,26	27465	8,05	5,80	0,37	3,90	11,66
80/67	HI	3398	2000	80513	23,59	53145	15,57	10,40	0,66	11,30	33,79
	MED	3126	1840	73948	21,67	48807	14,30	9,60	0,61	9,70	29,00
	LOW	2435	1433	52830	15,48	35841	10,50	6,80	0,43	5,10	15,25
85/67	HI	3398	2000	84126	24,65	64315	18,84	10,90	0,69	12,20	36,48
	MED	3126	1840	78045	22,87	59452	17,42	10,10	0,64	10,70	31,99
	LOW	2435	1433	58571	17,16	45212	13,25	7,50	0,47	6,20	18,54



Performance data of F-VS-SD-2400-WD

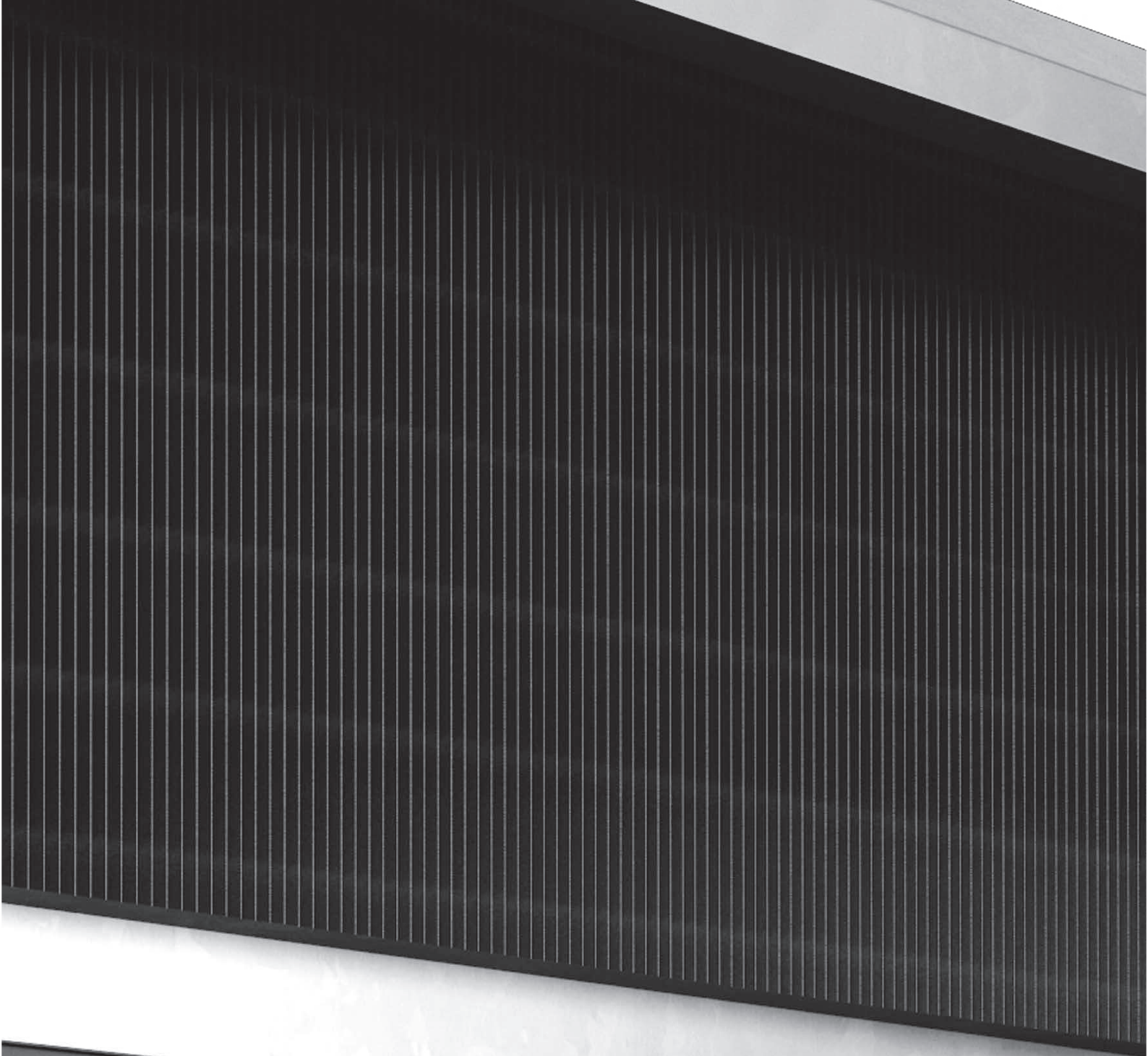
Cooling Coil Air Inlet				Entering/Leaving Water Temperature							
DB/WB	Speed	Air Flow Rate		42/58 (°F); 5.5/14.4 (°C)							
		m³/h	CFM	Total Cooling		Sensible Cooling		Water Flow rate		Water Pressure drop	
				(X 1.000 Btu/Hr)	kW	(X 1.000 Btu/Hr)	kW	GPM	L/S	Ft.wg	kPa
76/63	HI	4045	2381	71736	21,02	55810	16,35	9,40	0,59	10,10	30,20
	MED	3746	2205	66283	19,42	51608	15,12	8,70	0,55	8,80	26,31
	LOW	2810	1654	46104	13,51	36926	10,82	6,10	0,38	4,70	14,05
80/63	HI	4045	2381	79875	23,40	68155	19,97	10,40	0,66	12,20	36,48
	MED	3746	2205	74174	21,73	63228	18,53	9,70	0,61	10,70	31,99
	LOW	2810	1654	54543	15,98	46814	13,72	7,20	0,45	6,30	18,84
85/63	HI	4045	2381	89197	26,13	82842	24,27	11,60	0,73	14,80	44,25
	MED	3746	2205	83474	24,46	77263	22,64	10,90	0,69	13,20	39,47
	LOW	2810	1654	62998	18,46	58127	17,03	8,30	0,52	8,10	24,22
76/65	HI	4045	2381	82079	24,05	54663	16,02	10,70	0,68	12,80	38,27
	MED	3746	2205	76336	22,37	50731	14,86	10,00	0,63	11,30	33,79
	LOW	2810	1654	54502	15,97	36675	10,75	7,20	0,45	6,30	18,84
80/65	HI	4045	2381	86417	25,32	65429	19,17	11,30	0,71	14,00	41,86
	MED	3746	2205	81320	23,83	61175	17,92	10,60	0,67	12,60	37,67
	LOW	2810	1654	58490	17,14	44616	13,07	7,50	0,47	6,80	20,33
85/65	HI	4045	2381	92959	27,24	79191	23,20	12,10	0,76	15,90	47,54
	MED	3746	2205	87242	25,56	73928	21,66	11,40	0,72	14,30	42,76
	LOW	2810	1654	66335	19,44	55754	16,34	8,70	0,55	8,80	26,31
76/67	HI	4045	2381	93591	27,42	53548	15,69	12,20	0,77	16,10	48,14
	MED	3746	2205	88327	25,88	50243	14,72	11,50	0,73	14,60	43,65
	LOW	2810	1654	67089	19,66	37797	11,07	8,80	0,56	9,00	26,91
80/67	HI	4045	2381	96545	28,29	63443	18,59	12,50	0,79	17,00	50,83
	MED	3746	2205	90969	26,65	59401	17,40	11,80	0,74	15,30	45,75
	LOW	2810	1654	69988	20,51	45125	13,22	9,20	0,58	9,70	29,00
85/67	HI	4045	2381	100241	29,37	76463	22,40	13,00	0,82	18,20	54,42
	MED	3746	2205	94320	27,64	71421	20,93	12,30	0,78	16,30	48,74
	LOW	2810	1654	73019	21,39	54482	15,96	9,60	0,61	10,40	31,10



Performance data of F-VS-SD-3000-WD

Cooling Coil Air Inlet				Entering/Leaving Water Temperature							
DB/WB	Speed	Air Flow Rate		42/58 (°F); 5.5/14.4 (°C)							
		m³/h	CFM	Total Cooling		Sensible Cooling		Water Flow rate		Water Pressure drop	
				(X 1.000 Btu/Hr)	kW	(X 1.000 Btu/Hr)	kW	GPM	L/S	Ft.wg	kPa
76/63	HI	5471	3220	90032	26,38	71054	20,82	11,90	0,75	10,80	32,29
	MED	5046	2970	83174	24,37	65616	19,23	11,00	0,69	9,40	28,11
	LOW	3782	2226	58495	17,14	47258	13,85	7,90	0,50	5,10	15,25
80/63	HI	5471	3220	100092	29,33	87062	25,51	13,10	0,83	13,00	38,87
	MED	5046	2970	93187	27,30	80821	23,68	12,30	0,78	11,50	34,39
	LOW	3782	2226	69379	20,33	60277	17,66	9,30	0,59	6,90	20,63
85/63	HI	5471	3220	112495	32,96	6328	1,85	14,70	0,93	16,00	47,84
	MED	5046	2970	105217	30,83	98994	29,01	13,80	0,87	14,20	42,46
	LOW	3782	2226	80333	23,54	75063	21,99	10,60	0,67	8,90	26,61
76/65	HI	5471	3220	101476	29,73	68709	20,13	13,30	0,84	13,30	39,77
	MED	5046	2970	95350	27,94	64120	18,79	12,50	0,79	12,00	35,88
	LOW	3782	2226	68850	20,17	46679	13,68	9,20	0,58	6,80	20,33
80/65	HI	5471	3220	107433	31,48	82936	24,30	14,10	0,89	14,70	43,95
	MED	5046	2970	100942	29,58	77357	22,67	13,20	0,83	13,20	39,47
	LOW	3782	2226	76164	22,32	58068	17,01	10,10	0,64	8,10	24,22
85/65	HI	5471	3220	116353	34,09	1109	0,32	15,20	0,96	16,90	50,53
	MED	5046	2970	108916	31,91	94132	27,58	14,30	0,90	15,10	45,15
	LOW	3782	2226	84073	24,63	71637	20,99	11,10	0,70	9,60	28,70
76/67	HI	5471	3220	116338	34,09	67172	19,68	15,20	0,96	16,90	50,53
	MED	5046	2970	109685	32,14	62896	18,43	14,40	0,91	15,30	45,75
	LOW	3782	2226	84946	24,89	47983	14,06	11,20	0,71	9,80	29,30
80/67	HI	5471	3220	119863	35,12	80068	23,46	15,70	0,99	17,80	53,22
	MED	5046	2970	112923	33,09	74817	21,92	14,80	0,93	16,00	47,84
	LOW	3782	2226	87301	25,58	57003	16,70	11,40	0,72	10,00	29,90
85/67	HI	5471	3220	125034	36,63	97246	28,49	16,30	1,03	19,20	57,41
	MED	5046	2970	117392	34,40	90660	26,56	15,30	0,97	17,20	51,43
	LOW	3782	2226	92458	27,09	69823	20,46	12,20	0,77	11,30	33,79

VTS





Fan Characteristics - Low Static

Air Flow (CFM)

Model	Speed	External static pressure (Pa)			
		0	25	50	75
F-VS-SD-200-WD	H	265	235	207	155
	M	255	220	190	143
	L	157	142	133	114
F-VS-SD-300-WD	H	494	449	420	315
	M	445	403	350	300
	L	284	258	241	207
F-VS-SD-400-WD	H	580	528	480	384
	M	508	460	400	343
	L	334	303	276	237
F-VS-SD-600-WD	H	871	792	720	576
	M	762	690	600	515
	L	501	455	414	355
F-VS-SD-800-WD	H	1161	1056	960	768
	M	1016	920	800	687
	L	668	607	552	474
F-VS-SD-1000-WD	H	1452	1320	1200	960
	M	1270	1150	1000	858
	L	834	759	690	592
F-VS-SD-1200-WD	H	1626	1478	1344	1062
	M	1366	1266	1120	961
	L	935	850	772	663

Current (Amps)

Model	Speed	External static pressure (Pa)		
		0	25	50
F-VS-SD-200-WD	H	0,56	0,53	0,50
	M	0,51	0,48	0,46
	L	0,44	0,41	0,39
F-VS-SD-300-WD	H	0,88	0,83	0,79
	M	0,71	0,67	0,63
	L	0,59	0,56	0,53
F-VS-SD-400-WD	H	0,89	0,84	0,80
	M	0,72	0,68	0,64
	L	0,60	0,57	0,53
F-VS-SD-600-WD	H	0,88	0,83	0,82
	M	0,83	0,78	0,74
	L	0,68	0,65	0,61
F-VS-SD-800-WD	H	1,61	1,52	1,43
	M	1,27	1,20	1,13
	L	1,15	1,08	1,02
F-VS-SD-1000-WD	H	1,73	1,64	1,54
	M	1,33	1,26	1,19
	L	1,17	1,11	1,04
F-VS-SD-1200-WD	H	1,77	1,67	1,58
	M	1,48	1,39	1,31
	L	1,18	1,12	1,05

Input Power (Watts)

Model	Speed	External static pressure (Pa)		
		0	25	50
F-VS-SD-200-WD	H	129	122	115
	M	118	111	105
	L	101	95	90
F-VS-SD-300-WD	H	203	192	181
	M	163	154	145
	L	136	128	121
F-VS-SD-400-WD	H	206	194	183
	M	165	156	147
	L	138	130	123
F-VS-SD-600-WD	H	247	233	220
	M	191	180	170
	L	157	148	140
F-VS-SD-800-WD	H	371	350	330
	M	292	276	260
	L	264	249	235
F-VS-SD-1000-WD	H	399	376	355
	M	307	289	273
	L	270	254	240
F-VS-SD-1200-WD	H	408	385	363
	M	339	320	302
	L	272	257	242



Fan Characteristics - High Static

Air Flow (CFM)

Model	Speed	External static pressure (Pa)		
		50	75	100
F-VS-SD -600-WD (HS)	H	597	512	441
	M	480	412	354
	L	382	328	282
F-VS-SD -800-WD (HS)	H	800	686	590
	M	641	550	473
	L	512	439	378
F-VS-SD -1000-WD (HS)	H	1000	858	738
	M	800	686	590
	L	638	547	471
F-VS-SD -1200-WD (HS)	H	1197	1027	883
	M	1050	823	708
	L	765	656	564
F-VS-SD -1400-WD	H	1396	1198	1030
	M	1305	1030	885
	L	894	767	660
F-VS-SD -1600-WD	H	1596	1370	1178
	M	1490	1098	945
	L	1024	879	756
F-VS-SD -1800-WD	H	1796	1541	1325
	M	1645	1412	1214
	L	1400	1201	1033
F-VS-SD -2000-WD	H	2000	1716	1476
	M	1840	1579	1358
	L	1433	1218	1035
F-VS-SD -2400-WD	H	2381	2043	1757
	M	2205	1892	1627
	L	1654	1406	1195
F-VS-SD -3000-WD	H	3220	2763	2376
	M	2970	2549	2192
	L	2226	1892	1608

Current (Amps)

Model	Speed	External static pressure (Pa)		
		50	75	100
F-VS-SD -600-WD (HS)	H	1,00	0,94	0,80
	M	0,80	0,76	0,64
	L	0,64	0,60	0,51
F-VS-SD -800-WD (HS)	H	1,36	1,28	1,09
	M	1,09	1,02	0,87
	L	0,87	0,82	0,70
F-VS-SD -1000-WD (HS)	H	1,85	1,74	1,48
	M	1,48	1,39	1,18
	L	1,18	1,11	0,95
F-VS-SD -1200-WD (HS)	H	2,28	2,15	1,83
	M	1,83	1,72	1,46
	L	1,46	1,37	1,17
F-VS-SD -1400-WD	H	2,63	2,41	2,11
	M	2,09	1,98	1,72
	L	1,72	1,59	1,47
F-VS-SD -1600-WD	H	2,72	2,56	2,18
	M	2,18	2,05	1,74
	L	1,74	1,63	1,39
F-VS-SD -1800-WD	H	2,96	2,78	2,37
	M	2,37	2,23	1,90
	L	1,90	1,78	1,52
F-VS-SD -2000-WD	H	2,96	2,78	2,37
	M	2,37	2,23	1,90
	L	1,90	1,78	1,52
F-VS-SD -2400-WD	H	4,57	4,29	3,65
	M	3,65	3,43	2,92
	L	2,92	2,75	2,34
F-VS-SD -3000-WD	H	6,85	6,44	5,48
	M	5,48	5,15	4,38
	L	4,38	4,12	3,51

Input Power (Watts)

Model	Speed	External static pressure (Pa)		
		50	75	100
F-VS-SD -600-WD (HS)	H	231	217	185
	M	185	174	148
	L	148	139	118
F-VS-SD -800-WD (HS)	H	312	293	250
	M	250	235	200
	L	200	188	160
F-VS-SD -1000-WD (HS)	H	425	400	340
	M	340	320	272
	L	272	256	218
F-VS-SD -1200-WD (HS)	H	525	494	420
	M	420	395	336
	L	336	316	269
F-VS-SD -1400-WD	H	605	554	486
	M	480	455	396
	L	396	366	339
F-VS-SD -1600-WD	H	626	588	501
	M	501	471	401
	L	400	376	320
F-VS-SD -1800-WD	H	681	640	545
	M	545	512	436
	L	436	410	349
F-VS-SD -2000-WD	H	681	640	545
	M	545	512	436
	L	436	410	349
F-VS-SD -2400-WD	H	1050	987	840
	M	840	790	672
	L	672	632	538
F-VS-SD -3000-WD	H	1575	1481	1260
	M	1260	1184	1008
	L	1008	948	806



Sound Data

Unit operating conditions are the following:
 Air on coil DBT 76 °F / WBT 64 °F, water at (5.5°C / 14.5°C) (41.9°F/57.9°F)
 Sound Pressure Level according to ISO 11203 at 1 meter from the unit

Model	ESP in.wg	Speed	Freq [Hz]								Sound Power Level	Sound Pressure Level
			63	125	250	500	1000	2000	4000	8000	dB(A)	dB(A)
			dB(A)	dB(A)	dB(A)	dB(A)	dB(A)	dB(A)	dB(A)	dB(A)		
F-VS-SD-200-WD	ESP 50 Pa	H	22,5	34,2	38	38,6	37,2	33,6	30,7	22,8	62	44
		M	21,5	30,9	36,2	37,5	34,1	31,2	28,5	21,8	57	42
		L	20,4	25,4	31,6	31,7	29,4	26,8	23,4	18,8	55	37
F-VS-SD-300-WD	ESP 50 Pa	H	22,5	34,2	38	38,6	37,2	33,6	30,7	22,8	62	44
		M	21,5	30,9	36,2	37,5	34,1	31,2	28,5	21,8	57	42
		L	20,4	25,4	31,6	31,7	29,4	26,8	23,4	18,8	55	37
F-VS-SD-400-WD	ESP 50 Pa	H	24,5	36,2	40	40,6	39,2	35,6	32,7	24,8	62	46
		M	23,5	31,8	37,2	38,5	35,1	32,2	29,2	24,4	58	43
		L	21,4	26,4	32,6	32,7	30,4	27,8	24,4	19,8	55	38
F-VS-SD-600-WD	ESP 50 Pa	H	30	41,2	44,9	45,5	44,4	40,8	37,5	29,5	66	51
		M	28,1	33,2	39,1	40,6	36,5	34	32,5	27,5	60	45
		L	22,1	27,4	33,7	33,9	31,3	28,4	25,2	20,7	55	39
F-VS-SD-800-WD	ESP 50 Pa	H	31,4	43	45,8	46,4	45,4	41,6	38,2	30,2	68	52
		M	28,3	33,5	39,1	40,3	36,7	35,1	32,7	27,2	61	45
		L	22,1	27,4	33,6	33,8	31,1	28,6	25,8	21,7	55	39
F-VS-SD-1000-WD	ESP 50 Pa	H	32,2	40,2	48	48,9	45,7	42,4	39,2	31,2	68	53
		M	30,3	35,4	41,2	42,2	39,9	37,1	33,3	29,3	62	47
		L	24,2	29,3	35,5	35,9	33,2	30,8	27,7	23,9	56	41
F-VS-SD-1200-WD	ESP 50 Pa	H	32,2	40,2	47,1	48	46,8	42,2	39,2	31,2	68	53
		M	31,2	36,2	42,3	43,1	40,1	38,2	34,5	30,5	63	48
		L	27,2	32,3	28,5	39,5	37,2	34,8	31,7	27,5	58	43



Sound Data

Unit operating conditions are the following:
Air on coil DBT 76 °F / WBT 64 °F, water at (5.5°C / 14.5°C) (41.9°F/57.9°F)
Sound Pressure Level according to ISO 11203 at 1 meter from the unit

Model	ESP in.wg	Speed	Freq [Hz]								Sound Power Level	Sound Pressure Level
			63	125	250	500	1000	2000	4000	8000	dB(A)	dB(A)
			dB(A)	dB(A)	dB(A)	dB(A)	dB(A)	dB(A)	dB(A)	dB(A)		
F-VS-SD -600-WD (HS)	ESP 50 Pa	H	25,1	34,7	36,8	40,8	43,7	40,6	38,2	32,3	62	48
		M	24,1	33,5	35,6	40	41,9	35,4	36,5	28,3	60	46
		L	22,6	29,3	30,5	37,5	39,1	34,3	30,8	23,5	57	43
F-VS-SD -800-WD (HS)	ESP 50 Pa	H	30,1	39,7	41,8	45,8	48,7	45,6	44,2	38,3	67	53
		M	28,1	37,7	38,6	44	46,9	43,4	41,5	37,3	65	51
		L	26,5	35,4	36,5	42,7	43,9	38,8	35,3	29,5	63	48
F-VS-SD -1000-WD (HS)	ESP 50 Pa	H	31,1	40,6	42,5	46,9	49,8	46,8	45,8	39,2	68	54
		M	30,3	39,5	40,2	46,5	48,3	45,8	43,5	38,4	67	53
		L	28,9	37,6	38,2	44,9	45,6	41,5	37,6	31,8	64	50
F-VS-SD -1200-WD (HS)	ESP 50 Pa	H	31,1	40,6	42,5	46,9	49,8	46,8	45,8	39,2	68	54
		M	30,3	39,5	40,2	46,5	48,3	45,8	43,5	38,4	67	53
		L	28,9	37,6	38,2	44,9	45,6	41,5	37,6	31,8	64	50
F-VS-SD -1400-WD	ESP 50 Pa	H	31,2	39,9	42,5	46,6	49,5	46,3	46,1	39,5	68	54
		M	29,5	38,7	40,5	45,2	47,1	44,7	43,4	37,8	66	52
		L	27,9	36,5	37,3	43,5	44,9	40,6	36,8	32,4	64	49
F-VS-SD -1600-WD	ESP 50 Pa	H	33,5	42,1	44,3	48,1	51,9	48,2	47,5	42,5	70	56
		M	31,5	40,7	42,5	47,2	49,1	46,7	45,1	39,8	68	54
		L	28,1	37,7	38,6	44	46,9	43,4	41,5	37,3	65	51
F-VS-SD -1800-WD	ESP 50 Pa	H	33,5	42,1	44,3	48,1	51,9	48,2	47,5	42,5	70	56
		M	31,5	40,7	42,5	47,2	49,1	46,7	45,1	39,8	68	54
		L	28,1	37,7	38,6	44	46,9	43,4	41,5	37,3	65	51
F-VS-SD -2000-WD	ESP 50 Pa	H	35,6	44,5	46,8	50,3	53,9	50,8	49,8	44,7	72	58
		M	34,2	43,2	45,5	49,8	52,2	49,5	48,8	43,1	71	57
		L	31,4	42	44,8	46,4	45,4	43,6	40,5	32,2	65	51
F-VS-SD -2400-WD	ESP 50 Pa	H	35,6	44,5	46,8	50,3	53,9	50,8	49,8	44,7	72	58
		M	34,2	43,2	45,5	49,8	52,2	49,5	48,8	43,1	71	57
		L	31,4	42	44,8	46,4	45,4	43,6	40,5	32,2	66	52
F-VS-SD -3000-WD	ESP 50 Pa	H	35,6	44,5	46,8	50,3	53,9	50,8	49,8	44,7	72	58
		M	34,2	43,2	45,5	49,8	52,2	49,5	48,8	43,1	71	57
		L	31,4	42	44,8	46,4	45,4	43,6	40,5	32,2	66	52

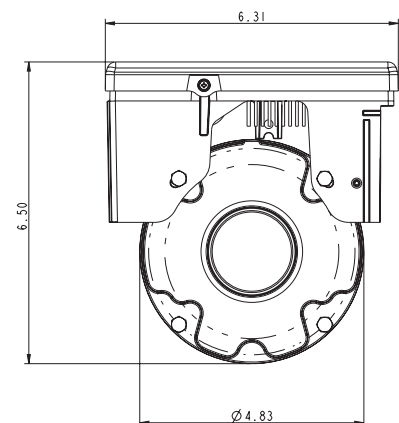
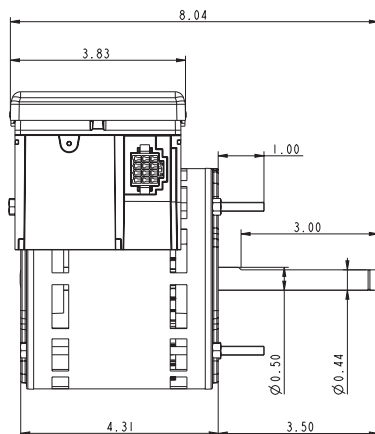
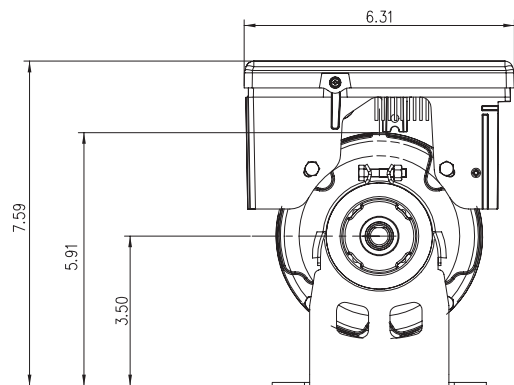
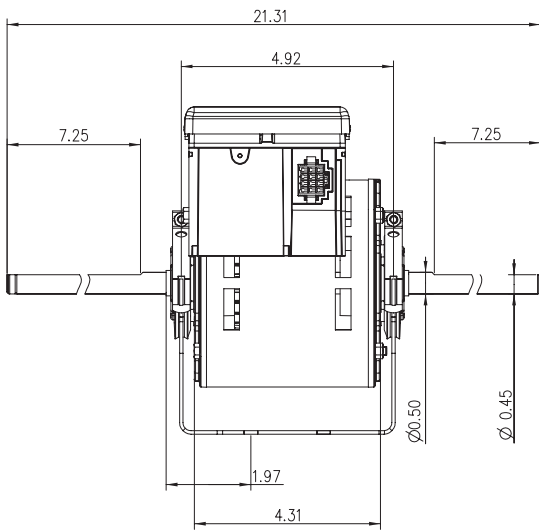
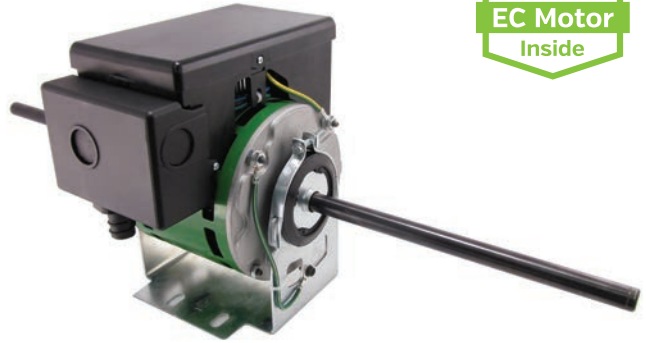
EC motors [optional equipment] - technical specifications

KEY FEATURES AND BENEFITS:

- Available in single and dual shaft configurations.
- Tri-voltage (115 through 277V) means one model for multiple applications
- Multiple input options compatible with a wide variety of control systems
- Fully programmable to the specific application
- Integrated motor and control.

SPECIFICATIONS:

- **Horsepower:** 1/4 1/8 HP
- **Voltage:** 115/230/277V (tri-voltage)
- **Speeds:** 300-1800 RPM, OR 300-1200 RPM
- **Inputs:** 0-10V, PWM or 3 - 24V Speed Taps
- **Operation Modes:** Constant Torque, Constant Speed
- **Frame:** NEMA[®] 42
- **Enclosure:** Open Air Over (OAO)
- **Efficiency:** Up to 80%
- **Mounting:** Resilient, Stud or Belly Band





The data presents performance of EC motor at varying torque requirements, which is determined by ESP parameter RPM value is determined by the room temperature setpoint. The RPM reduces as the room set point is achieved. The true indicator of EC motor effectiveness is the reduction in power consumption when room set point temperature is achieved

EC motor characteristics

Tq Demand 1/4 HP	Speed 230V	Torque 50Hz	Vac	Iac	Pac	Shaft Power	System Efficiency
%	(rpm)	(lb-in)	(Vrms)	(Irms)	(W)	(W)	"ShaftPower/Pac (%)"
30	300	4.47	230.67	0.287	28.6	15.93	55.70%
	401	4.52	230.60	0.332	34.6	21.46	62.02%
	499	4.54	230.50	0.375	40.6	26.90	66.26%
	601	4.57	230.50	0.420	46.7	32.51	69.61%
	699	4.61	230.50	0.466	53.1	38.20	71.94%
	801	4.49	230.50	0.502	58.1	42.61	73.34%
	899	4.52	230.50	0.543	64.0	48.22	75.34%
	1002	4.55	230.50	0.593	71.1	54.00	75.95%
	1101	4.58	230.40	0.636	77.2	59.77	77.42%
	1201	4.62	230.40	0.683	83.8	65.73	78.44%
	1302	4.49	230.40	0.707	87.5	69.28	79.18%
	1401	4.52	230.30	0.756	94.5	75.00	79.37%
	1502	4.56	230.38	0.810	101.5	81.41	80.21%
	1600	4.58	230.30	0.850	107.7	86.89	80.68%
	1702	4.62	230.30	0.901	114.8	93.12	81.11%
1755	4.64	230.40	0.997	117.7	96.54	82.02%	
40	304	6.01	230.6	0.354	37.50	21.60	57.60%
	401	6.06	230.6	0.410	45.20	28.75	63.61%
	500	6.09	230.56	0.467	53.10	36.11	68.00%
	600	6.14	230.5	0.525	61.40	43.60	71.01%
	702	6.18	230.4	0.586	70.00	51.44	73.49%
	801	6.23	230.4	0.640	78.60	59.06	75.14%
	901	6.27	230.4	0.704	87.00	66.97	76.98%
	999	6.32	230.3	0.769	96.20	74.95	77.91%
	1101	6.37	230.3	0.830	104.90	83.03	79.15%
	1200	6.42	230.3	0.895	113.80	91.24	80.18%
	1305	6.47	230.2	0.964	123.60	99.98	80.89%
	1400	6.51	230.2	1.031	132.90	108.07	81.32%
	1506	6.56	230.2	1.170	144.60	117.03	80.93%
	1603	6.62	230.2	1.178	153.20	125.60	81.98%
	1694	6.66	230.2	1.240	161.90	133.70	82.58%
1785	5.90	230.3	1.242	157.30	124.40	79.08%	
50	303	7.52	230.60	0.424	47.0	27.00	57.45%
	400	7.50	230.50	0.490	56.1	35.58	63.42%
	500	7.54	230.50	0.558	65.9	44.69	67.81%
	600	7.51	230.40	0.622	75.0	53.67	71.56%
	702	7.56	230.40	0.690	85.4	62.78	73.51%
	799	7.51	230.30	0.757	94.4	71.10	75.32%
	900	7.55	230.37	0.827	104.3	80.52	77.20%
	999	7.51	230.30	0.890	113.2	88.80	78.45%
	1100	7.49	230.30	0.959	122.8	97.61	79.49%
	1202	7.54	230.20	1.033	133.1	107.36	80.66%
	1302	7.51	230.20	1.103	142.8	115.80	81.09%
	1398	7.56	230.20	1.182	153.7	125.10	81.39%
	1499	7.51	230.20	1.240	161.9	133.30	82.33%
	1602	7.57	230.20	1.327	174.0	143.29	82.35%
	1707	7.51	230.19	1.404	184.6	151.70	82.18%
1750	7.53	230.18	1.432	188.1	155.96	82.91%	



The data presents performance of EC motor at varying torque requirements, which is determined by ESP parameter RPM value is determined by the room temperature setpoint.

The RPM reduces as the room set point is achieved

The true indicator of EC motor effectiveness is the reduction in power consumption when room set point temperature is achieved

EC motor characteristics

Tq Demand 1/4 HP	Speed 230V	Torque 50Hz	Vac	Iac	Pac	Shaft Power	System Efficiency	
%	(rpm)	(lb-in)	(Vrms)	(Irms)	(W)	(W)	"ShaftPower/Pac (%)"	
60	301	9.07	230.54	0.499	57.40	32.36	56.38%	
	400	9.02	230.5	0.575	68.20	42.83	62.80%	
	501	9.07	230.44	0.657	80.00	53.77	67.21%	
	601	9.03	230.39	0.735	91.20	64.27	70.47%	
	702	908.00	230.36	0.820	103.30	75.48	73.07%	
	796	9.04	230.3	0.893	113.60	85.28	75.07%	
	900	9.10	230.2	0.986	126.50	97.01	76.69%	
	1000	9.16	230.27	1.079	139.30	108.40	77.82%	
	1099	8.99	230.2	1.137	147.30	117.01	79.44%	
	1200	9.04	230.2	1.233	160.80	128.50	79.91%	
	1302	9.09	230.2	1.320	173.00	140.30	81.10%	
	1399	9.05	230.1	1.397	183.80	149.80	81.50%	
	1498	9.09	230.16	1.486	196.30	161.20	82.12%	
	1606	8.99	230.14	1.573	208.50	171.08	82.05%	
70	301	10.50	230.40	0.557	66.4	37.73	56.82%	
	402	10.47	230.41	0.644	78.8	49.86	63.27%	
	500	10.54	230.35	0.738	92.4	62.43	67.56%	
	600	10.62	230.30	0.837	106.4	75.43	70.89%	
	701	10.55	230.28	0.930	119.6	87.59	73.24%	
	800	10.62	230.20	1.031	133.6	100.62	75.31%	
	902	10.54	230.21	1.122	146.4	112.49	76.84%	
	1002	10.52	230.18	1.219	159.9	124.50	77.86%	
	1101	10.49	230.16	1.309	175.2	137.10	78.25%	
	1201	10.56	230.14	1.415	187.5	150.20	80.11%	
	1300	10.54	230.10	1.515	201.3	162.40	80.68%	
	1405	10.49	230.09	1.606	214.2	174.40	81.42%	
	1504	10.55	230.07	1.714	229.5	187.70	81.79%	
	80	301	12.11	230.4	0.649	78.90	43.13	54.66%
400		12.08	230.3	0.749	93.50	57.20	61.18%	
499		12.11	230.3	0.858	109.00	71.500	65.60%	
602		12.19	230.2	0.980	126.30	86.90	68.80%	
699		12.26	230.2	1.093	142.10	101.60	71.50%	
802		12.17	230.17	1.196	156.50	115.50	73.80%	
903		12.24	230.1	1.317	173.50	130.94	75.47%	
1000		12.12	230.12	1.414	186.80	143.57	76.86%	
1104		12.19	230.09	1.537	204.40	159.50	78.03%	
1202		12.11	230.07	1.642	219.2	172.30	78.60%	
1306		12.18	230.03	1.766	236.9	188.10	79.40%	
90		300	13.61	230.30	0.742	92.1	48.45	52.61%
		402	13.50	230.20	0.858	108.8	64.24	59.04%
		498	13.57	230.23	0.980	125.9	80.12	63.64%
	600	13.52	230.20	1.100	142.8	95.91	67.16%	
	701	13.47	230.18	1.219	159.50	111.80	70.09%	
	802	13.56	230.13	1.354	178.30	128.73	72.20%	
	903	13.50	230.1	1.471	194.90	144.45	74.11%	
	1002	13.58	230.05	1.603	213.60	160.98	75.37%	
	1101	13.48	230.06	1.716	229.50	175.70	76.56%	
	1197	13.56	230.03	1.855	249.60	192.26	77.03%	
	100	302	15.04	230.28	0.845	106.8	53.80	50.37%
403		15.16	230.23	0.992	127.5	72.09	56.54%	
499		15.23	230.17	1.128	146.7	89.96	61.32%	
602		15.32	230.15	1.280	168.1	109.20	64.96%	
700		15.43	230.12	1.430	189.10	127.88	67.63%	
806		15.27	230.09	1.555	207.00	145.87	70.47%	
899		15.39	230.05	1.707	228.40	163.80	71.72%	
1003		15.32	230.01	1.847	248.30	182.55	73.52%	



The data presents performance of EC motor at varying torque requirements, which is determined by ESP parameter RPM value is determined by the room temperature setpoint. The RPM reduces as the room set point is achieved. The true indicator of EC motor effectiveness is the reduction in power consumption when room set point temperature is achieved

EC motor characteristics

Tq Demand 1/8 HP	Speed 230V	Torque 50Hz	Vac	Iac	Pac	Shaft Power	System Efficiency
%	(rpm)	(lb-in)	(Vrms)	(Irms)	(W)	(W)	"ShaftPower/Pac (%)"
30	305	2.25	229.99	0.157	16.5	8.12	49.20%
	407	2.26	229.96	0.184	20.0	10.86	54.32%
	507	2.25	229.93	0.209	23.5	13.51	57.48%
	610	2.25	229.93	0.237	27.2	16.25	59.74%
	696	2.25	229.00	0.261	30.2	18.59	61.56%
	800	2.25	229.87	0.289	34.1	21.30	62.47%
	899	2.25	229.85	0.314	37.3	23.95	64.22%
	999	2.26	229.84	0.342	41.0	26.69	65.09%
	1103	2.26	229.82	0.371	45.0	29.50	65.56%
	1202	2.25	229.81	0.396	48.3	32.85	68.01%
	1306	2.25	229.78	0.423	52.0	34.86	67.04%
	1404	2.25	229.77	0.451	55.7	37.40	67.14%
	1503	2.25	229.74	0.475	59.0	40.12	68.01%
	1602	2.25	229.72	0.504	63.0	42.65	67.70%
	1702	2.25	229.71	0.532	66.8	45.38	67.93%
1743	2.25	229.70	0.545	68.7	46.46	67.62%	
40	298	3.00	230.12	0.182	19.90	10.59	53.23%
	400	3.00	230.11	0.215	24.30	14.21	58.47%
	501	3.00	230.07	0.247	28.60	17.80	62.22%
	604	3.00	230.06	0.289	33.40	21.46	64.24%
	705	3.00	230.03	0.317	37.80	25.055	66.28%
	803	3.00	230	0.349	42.20	28.49	67.51%
	903	3.00	229.98	0.385	47.00	32.09	68.28%
	1004	3.00	229.95	0.419	51.60	35.68	69.14%
	1108	3.00	229.93	0.462	57.50	39.43	68.57%
	1197	3.00	229.98	0.480	60.00	42.47	70.78%
	1302	3.00	229.89	0.517	65.10	46.26	71.05%
	1402	3.00	229.86	0.552	70.00	49.86	71.23%
	1498	3.00	229.82	0.582	74.20	53.19	71.68%
	1615	3.00	229.79	0.617	79.00	57.34	72.58%
	1712	3.00	229.78	0.656	84.60	60.87	71.95%
1742	3.00	229.76	0.670	86.40	61.87	71.60%	
50	304	3.75	229.94	0.216	24.4	13.49	55.30%
	405	3.75	229.89	0.256	29.6	18.01	60.83%
	506	3.75	229.87	0.293	34.6	22.49	64.99%
	604	3.75	229.83	0.333	39.9	26.81	67.20%
	703	3.75	229.83	0.373	45.2	31.25	69.13%
	805	3.75	229.78	0.414	50.8	35.68	70.23%
	905	3.75	229.77	0.452	55.9	40.23	71.96%
	1004	3.75	229.73	0.489	60.9	44.56	73.17%
	1107	3.75	229.00	0.531	66.8	49.13	73.54%
	1202	3.75	229.66	0.567	71.8	53.32	74.26%
	1303	3.75	229.64	0.606	77.3	57.90	74.89%
	1399	3.75	229.61	0.642	82.4	62.12	75.39%
	1504	3.75	229.58	0.683	88.1	66.79	75.81%
	1608	3.75	229.55	0.721	93.3	71.39	76.51%
	1695	3.75	229.52	0.760	99.0	75.20	75.96%
1742	3.76	229.51	0.776	101.2	77.47	76.55%	



The data presents performance of EC motor at varying torque requirements, which is determined by ESP parameter RPM value is determined by the room temperature setpoint. The RPM reduces as the room set point is achieved. The true indicator of EC motor effectiveness is the reduction in power consumption when room set point temperature is achieved

EC motor characteristics

Tq Demand 1/8 HP	Speed 230V	Torque 50Hz	Vac	Iac	Pac	Shaft Power	System Efficiency
%	(rpm)	(lb-in)	(Vrms)	(Irms)	(W)	(W)	"ShaftPower/Pac (%)"
60	306	4.51	230.1	0.247	28.50	16.29	57.14%
	404	4.50	230.5	0.292	34.40	21.49	62.47%
	498	4.50	230	0.336	40.30	26.54	65.85%
	599	4.50	229.9	0.384	46.80	31.93	68.23%
	701	4.50	229.95	0.430	53.00	37.31	70.40%
	803	4.50	229.92	0.477	59.50	42.80	71.93%
	906	4.50	229.88	0.525	66.10	48.29	73.06%
	1007	4.45	229.84	0.572	72.70	53.67	73.82%
	1095	4.50	229.83	0.609	77.90	58.33	74.88%
	1201	4.50	229.79	0.658	84.70	63.97	75.53%
	1300	4.50	229.75	0.703	91.10	69.28	76.05%
	1402	4.50	229.72	0.748	97.50	74.88	76.80%
	1500	4.50	229.66	0.797	104.50	80.01	76.56%
	1598	4.50	229.63	0.841	110.70	85.17	76.94%
1610	4.50	229.64	0.865	113.70	85.78	75.44%	
70	302	5.25	229.88	0.281	32.9	18.78	57.08%
	406	5.25	229.86	0.336	40.2	25.24	62.78%
	507	5.25	229.89	0.387	47.1	31.52	66.93%
	605	5.25	229.77	0.440	54.2	37.60	69.37%
	702	5.25	229.73	0.488	60.8	43.86	72.13%
	803	5.25	229.70	0.515	68.3	49.91	73.07%
	904	5.25	229.66	0.594	75.6	56.19	74.33%
	1005	5.25	229.68	0.649	82.7	62.50	75.57%
	1099	5.25	229.57	0.691	89.2	68.39	76.67%
	1207	5.25	229.54	0.746	97.0	75.00	77.32%
	1302	5.25	229.51	0.791	103.3	80.91	78.32%
	1402	5.25	229.47	0.843	110.6	87.13	78.78%
	1498	5.25	229.44	0.894	117.6	93.07	79.14%
	1483	5.25	229.43	0.905	119.8	92.26	77.01%
80	1498	5.25	229.44	0.894	117.6	93.07	79.14%
	1483	5.25	229.43	0.905	119.8	92.26	77.01%
	506	6.00	229.99	0.435	53.70	35.91	66.87%
	608	6.00	229.89	0.495	61.90	43.21	69.81%
	699	6.00	229.86	0.548	69.20	49.65	71.74%
	802	5.99	229.8	0.606	77.40	56.80	73.39%
	903	6.00	229.7	0.664	85.60	64.13	74.92%
	1000	6.00	229.73	0.720	93.50	71.08	76.02%
	1102	6.00	229.68	0.779	101.80	78.29	76.90%
	1204	6.00	229.64	0.839	110.20	85.53	77.61%
90	1301	6.00	229.61	0.891	117.60	92.30	78.49%
	1317	6.00	229.62	0.902	119.00	93.57	78.63%
	306	6.75	229.83	0.356	42.9	24.49	57.07%
	402	6.75	229.77	0.418	51.2	32.09	62.68%
	503	6.75	229.73	0.484	60.2	40.20	66.78%
	605	6.75	229.69	0.549	69.2	48.29	69.79%
	704	6.75	229.64	0.611	77.9	56.24	72.20%
	802	6.75	229.59	0.675	86.9	64.10	73.76%
	902	6.75	229.55	0.736	95.5	72.02	75.42%
	1003	6.75	229.50	0.803	105.0	80.14	76.32%
	1104	6.75	229.45	0.864	113.4	88.19	77.77%
100	1204	6.75	229.43	0.929	122.5	96.22	78.54%
	1191	6.75	229.43	0.921	121.4	95.22	78.43%
	302	7.50	229.98	0.391	47.60	26.78	56.25%
	401	7.50	229.93	0.461	57.20	35.56	62.17%
	500	7.50	229.87	0.531	66.90	44.43	66.41%
	601	7.50	229.8	0.604	77.00	53.34	69.28%
	703	7.50	229.77	0.674	87.00	62.37	71.69%
	799	7.50	229.72	0.743	96.70	70.98	73.40%
	898	7.50	229.67	0.811	106.20	79.74	75.09%
	1004	7.50	229.64	0.885	116.60	89.12	76.44%
1074	7.50	229.62	0.922	121.70	95.37	78.36%	



A series of horizontal lines forming a ruled writing area on a notebook page.



VTS Clima Gulf FZCO.

P.O.BOX #18061,
Plot No. S20126
Hebel Ali Freezone, Dubai - U.A.E
tel: +971 (4) 881 1945
fax: +971 (4) 889 4998
e-mail: dubai@vtsgroup.com

VTS Clima LLC - Abu Dhabi Branch

P.O.Box # 36060
2nd Floor , Office # 3A
Sh. Saeed Al Nahyan Building
Al Falah Street, Abu Dhabi-U.A.E
Tel. + 971 (02) 6276101
Fax + 971 (02) 6276121
e-mail: abudhabi@vtsgroup.com

Due to continuous improvement of the products, VTS reserves right to implement modifications.
Some of technical data and descriptions may vary from the actual products specification.
Before placing the order, please, confirm all technical specification with VTS sales representative.